

## OPERATING INSTRUCTIONS

### ziaino® Air Treatment Unit

Model No. **F-JPW50H**

This product is for indoor use only



#### CONTENTS

SAFETY PRECAUTIONS .....	2~5	CONFIRMATION AND SETUP
SETTING REQUIREMENTS .....	6	
OPERATING REQUIREMENTS .....	6	
EACH PARTS IDENTIFICATION .....	7~10	
SETUP .....	11~12	OPERATION
• ADDING A SALT TABLET .....	12	
OPERATION .....	13~15	
WATER SUPPLY/DRAINAGE METHOD .....	16~18	MAINTENANCE
MAINTENANCE .....	19~26	
• WHEN REPLACING THE ELECTRODE UNIT .....	25	
• WHEN IDLE FOR A LONG TIME .....	26	
OPTIONAL ACCESSORIES .....	26	OTHER INFORMATION
WHEN THE LOUVER SHIFTS .....	27	
WHEN THE FLOATER FALLS OFF .....	27	
FURTHER INFORMATION .....	28	
FAQ .....	29	
TROUBLESHOOTING .....	29~32	
• LIST OF ERROR CODES .....	31~32	
SPECIFICATIONS .....	32	

Thank you very much for purchasing this **Panasonic** product.  
Please read these operating instructions carefully before operation and maintenance.  
Also, be sure to read the "SAFETY PRECAUTIONS" section (P.2~5) before use.  
Failure to comply with instructions could result in injury or property damage.  
Please retain this booklet for future reference.

# SAFETY PRECAUTIONS

Please strictly follow

- Disconnect power supply before maintenance and filling water and water drainage.
- For cleaning and descaling see "maintenance" and regarding filling (water supply) see "WATER SUPPLY/DRAINAGE METHOD".
- If the supply cord is damaged, it must be replaced by the manufacturer, its service agent or similarly qualified persons in order to avoid a hazard.
- This product is not intended for use by persons (including children) with reduced physical, sensory or mental capabilities, or lack of experience and knowledge, unless they have been given supervision or instruction concerning use of the product by a person responsible for the safety. Children should be supervised to ensure that they do not play with the product.

The safety precautions should be strictly followed in order to prevent injury or damage to properties.

- The following symbols differentiate the levels of danger or injury that may result if the product is not used correctly as instructed.



## WARNING

Those things shown in this column indicate that there is possibility of causing death or severe injury.



## CAUTION

Those things shown in this column indicate that there is possibility of causing minor injury or damage to properties.

- The following symbols are used to indicate the type of instructions that need to be followed. (The symbols given below are examples.)



This symbol indicates an action that must not be performed.



This symbol indicates an action that must be performed.

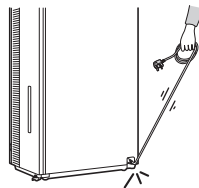


## WARNING



- **Do not pull the power cord when carrying or storing the product.**

(Otherwise, the power cord may be damaged with the possibility of fire or electric shock.)



- **Do not damage the power cord or power plug.**

- Do not cut, modify, excessive distort, twist, squeeze the power cord, and do not place it near heat sources, place heavy weight on it, etc.

(Otherwise, the power cord may be damaged with the possibility of fire or electric shock.)

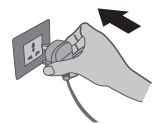
- **Do not use power other than the rated voltage.**

(Otherwise, the power cord may be overheated and induce fire.)



- **Insert the power plug into the power socket completely.**

(If the power plug is not fully inserted, electric shock may occur, or a fire may be caused due to overheating of the power cord.)



- Do not use damaged power plug or loose power socket.

- **Clean the power plug regularly.**

(If dust and humidity is found on the power plug, which may cause damage to insulation, causing fire.)

- Disconnect the power plug and wipe it with dry cloth.

- When the product will not be used for a long period, disconnect the power plug.



## WARNING



- For hospitals, rehabilitation centers or the like, please pay attention to the operating places of this product. Make sure that customers with implanted medical pacemakers keep their pacemaker implantation sites away from the opening and closing part of the front panel, tank and tray of this product.

(Otherwise, the magnets on the product may negatively affect the pacemaker.)

- Do not touch the power plug with wet hands.

(Otherwise, electric shock may occur.)

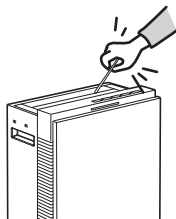


- Do not use acidic detergents or citric acid.

(Otherwise, toxic gas may be produced, which is harmful to your health.)

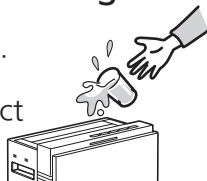
- Do not insert your fingers, metallic objects or others into the air inlet, air outlet or gaps.

(Otherwise, you may be hurt by the inner units with the possibility of electric shock or injury.)



- Do not let the product get wet.

- Do not place cups, etc. on the main unit.
- (Otherwise, the product may short circuit with the possibility of fire or electric shock.)



- Make sure to disconnect the power plug before cleaning the product.

(Otherwise, the product might operate with the possibility of electric shock or injury.)

- In case of any abnormality or malfunction, immediately stop using the product and disconnect the power plug.

(Otherwise, electric shock, fire or smoke may occur.)

<Examples of abnormality/ malfunction>

- Leakage.
  - Operation stops after the power cord is touched.
  - Abnormal noise or severe vibration occurs during operation.
  - The main unit becomes abnormally hot or emits a smell of burning.
  - There is any other abnormalities or malfunction.
- Please stop operating immediately and disconnect the power plug, and contact the dealer to check and repair.



- Do not disassemble or modify the product.

(Otherwise, the product may catch fire or malfunction, thus resulting in fire or electric shock.)

→ Contact the dealer for repair.

- Do not disassemble or modify the electrode unit.

(Injury may be caused due to the electrode plates after disassembly.)

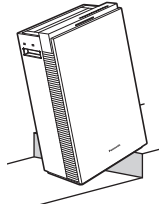


## CAUTION



- **Do not place the product in the incline and unstable place or at heights.**

(Otherwise, the product may fall over and injury may occur, the water may spill out and fire, electric shock may occur or wet furniture, etc.)



- **Do not place the product in the place where oil fume is emitted, such as in kitchens.**

(Otherwise, the product may crack and injury may occur.)

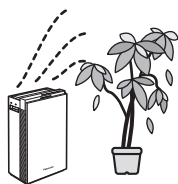
- **Do not place the product in the place where the temperature or humidity is extremely high, or watery area, such as bathroom.**

(Otherwise, current may leak with the possibility of fire or electric shock.)



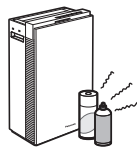
- **Do not use the product in the place where the air outlet faces animals or plants directly.**

(Otherwise, it may cause discomfort to the animals and dry out the plant.)



- **Do not use the product in the place where oil or inflammable gas may be leaked.**

(Otherwise, a fire or smoke may occur due to ignition in the product.)



- **Do not sit on or lean against this product.**

(Otherwise, the product may fall over and injury may occur, the water may spill out and fire, electric shock may occur or wet furniture, etc.)

- Families with children should pay more attention.



- **Do not push over or overturn the product.**

(Otherwise, the water may spill out and fire, electric shock may occur or wet furniture, etc.)

- **Do not operate this product in places where indoor fumigation type insecticides are being used.**

(Otherwise, chemical residue may build up inside the product and discharge from the air outlet, which is harmful to your health.)

- Ventilate the room with fresh air thoroughly after using insecticides before operating the product.

- **Do not clean the product with gasoline or other volatile mixture solvents, and avoid contacting with spray insecticides.**

(Otherwise, the product may crack or short circuit with the possibility of injury, fire or electric shock.)

- **Do not place the product near combustible materials such as lighted cigarette, incense, etc.**

(Otherwise, these may be absorbed into the product with possibility of fire.)

- **Do not drink the water in the tank or tray, or feed animals or water plants with it.**

(Otherwise, human health may be harmed and adverse effects may be caused.)

- **Do not use a punctured or damaged tank or tray.**

(Otherwise, discoloration or deterioration of the floor may be caused.)

- **Do not let the wind blow directly onto walls or hand-rails or any other metal objects.**

(Otherwise, dirt, mold or rust may be caused.)



## CAUTION

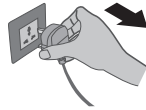


- **Do not add chemicals, air fresheners, essential oils, etc. into the tank or tray.**  
(Otherwise, toxic gas may be produced, which is harmful to your health. Or, the water supply tank or tray may be damaged, thus wetting the floor and resulting in discoloration or deformation.)



- **When disconnecting the power plug, hold the power plug instead of the power cord.**

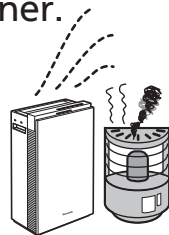
(Otherwise, the power cord may be damaged with the possibility of fire or electric shock.)



- **Keep the room well-ventilated when using the product together with a burner.**

(Otherwise, carbon monoxide poisoning may occur.)

- This product cannot remove carbon monoxide.



- **When carrying the product.**

- Turn off the product and disconnect the power plug, take out the tank, and pour water out of the tank and tray.

(Otherwise, discoloration or deterioration of the floor may be caused.)

- Hold the left and right handles, but not the louver, front panel and the side panel to carry the product.  
(Otherwise, the product may slip out injury may occur.)

- **Make sure that no water spills out when carrying the tank or tray. If any water spills out, wipe it off immediately.**

(If water spills out on the floor, etc., discoloration or deterioration may be caused due to the bleaching effect of hypochlorous acid.)



- **When draining the water, turn on the tap to flush the sink clean.**

(Otherwise, the sink and water pipe may oxidize to form rust.)

- **Clean the tank and the interior of the main unit frequently.**

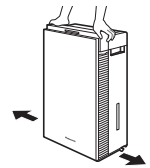
- Replace the water in the tank with new tap water every day.  
(When the product is not operating, a foul odor may occur due to mildew and miscellaneous bacterium breeding caused by dirt or incrustation, which may be harmful to your health.)

- **When you feel uncomfortable, stop using the product immediately and consult a doctor at once.**

(Otherwise, physical discomfort may be caused.)

- **Move the product horizontally.**

(Otherwise, the floor or carpet may be scratched.)

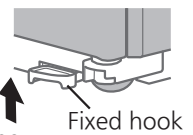


- **When moving the product by the wheels**

- Please unlock the fixed hook from wheels, then moving the product. (P. 7)

(Otherwise, the product is easily pushed over and result in injury.)

[Unlock]  
(Move the fixed hook up)



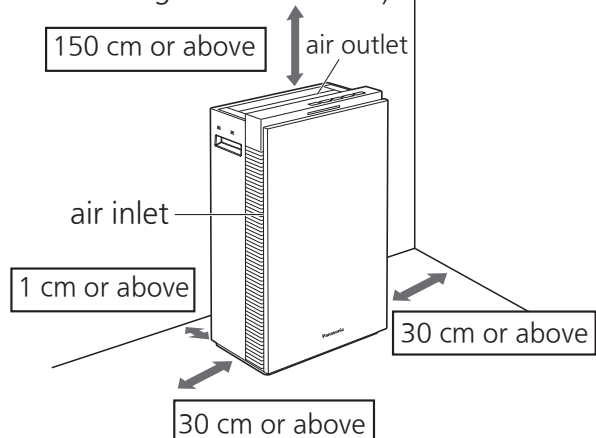
- When it is inconvenient or difficult to wheel the product, lift and move the product.

(Otherwise, the support surface may be scratched or the product may fall over.)



# SETTING REQUIREMENTS

- **When used beside a wall, etc.**  
Keep a safe distance during use as instructed below.  
(Poor ventilation may cause the internal temperature of the main unit to rise, thus resulting in malfunction.)

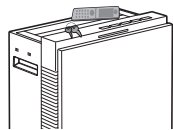


- **Place the main unit indoors and use it within the ambient temperature range of 5 °C to 35 °C.**

- **Do not set the product in the following places.**
  - Where the product will be exposed directly to sunlight, outlet of air conditioner or heat, etc. (Otherwise, deformation, deterioration, degeneration, discoloration or malfunction may be caused.)
  - Where window or other objects may obstruct the humidity sensor and odor sensor. (Otherwise, the sensors may not work normally.)
  - Near objects such as TV and radio. (Otherwise, visual disturbances or noises may be caused.)
- Keep a distance of 1 m or above.
- **Do not use the same power socket with TV, radio, etc.**  
(Otherwise, visual disturbances or noises may be caused when inserting the power plug.)
- In this case, insert the power plug into another power socket.
- **Do not put any obstacles at the inlet and outlet of the product.**  
(Otherwise, it may affect product performance.)

# OPERATING REQUIREMENTS

- **Do not place any object on the product.**  
(Otherwise, the product may malfunction.)
- **Do not disconnect the power plug if the product will not be in use for a short time.**  
(Otherwise, mildew and miscellaneous bacterium breeding may be caused as sterilization is not available.)  
Make sure that there is water in the tank and keep the power plug inserted since the cleaning operation (Page 15) will start automatically once the product stops working.
- **If the product will not be in use for a long time, disconnect the power plug, and empty the tank and tray.**  
(Otherwise, it may cause mildew and miscellaneous bacterium breeding since the effect of hypochlorous acid is weakened while the power is off.)
  - There is no problem if the power plug is disconnected briefly.
- **It is recommend that do not use the product in a smoking environment.**  
(Otherwise, product life may be shorten and the replacement cycle of the electrode unit, sterilization filter and HEPA composite filter may be shortened.)  
(If the product inhales cigarette smoke, the interior of the main unit may become dirty with cigarette tar, and dirty water containing cigarette tar or other components may be blown out from the main unit.)



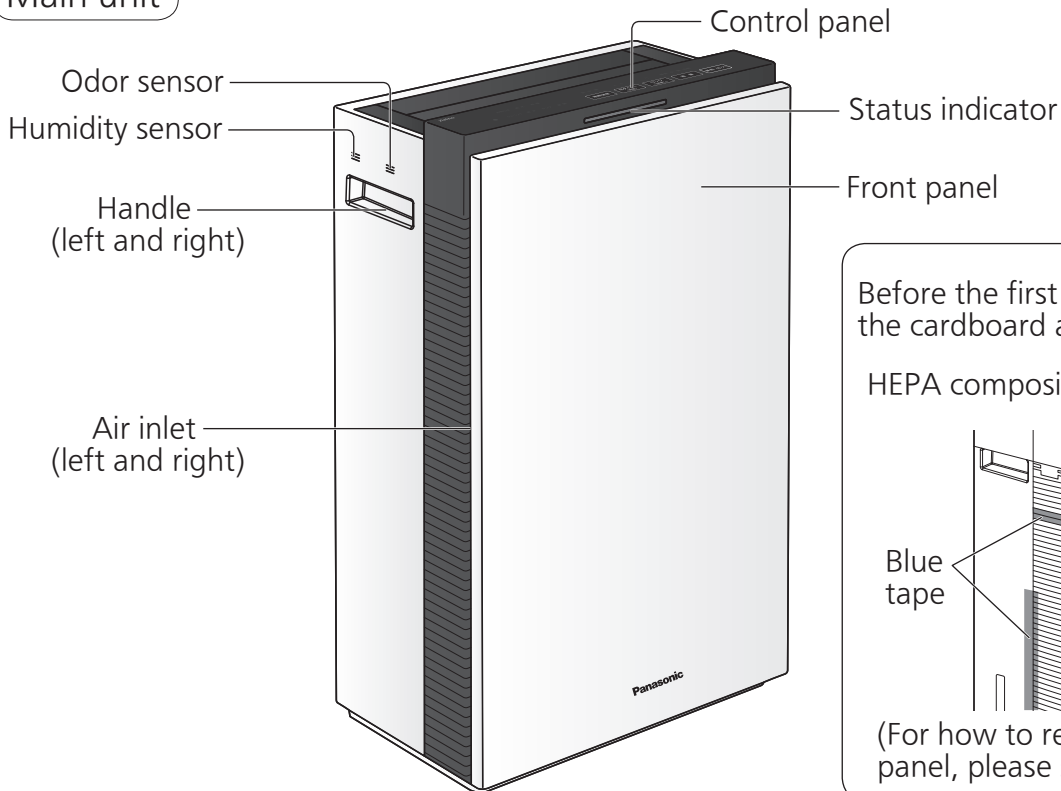
- **Do not use the product with the HEPA composite filter removed.**  
(Otherwise, dust may build up inside the main unit, thus resulting in malfunction.)
- **Clean the walls regularly.**  
Using the product continuously at the same location may result in dirty surrounding walls due to the air inhaled by the product. You are recommended to clean the walls regularly.
- **When there may be freezing, please empty the tank and tray.**  
(Operating with frozen water may cause malfunction.)
- **Do not block the air outlet.**  
(Otherwise, misoperation or malfunction may be caused.)

## About the salt tablet

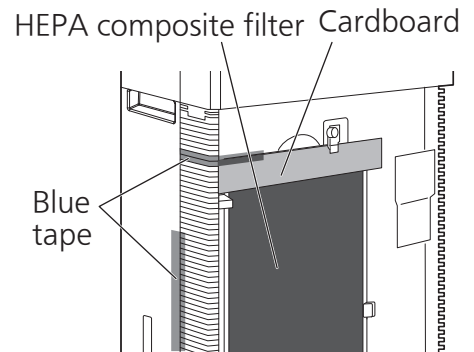
- **The salt tablet is applicable to this series of product only.**
- **Be sure to use the supplied or optional salt tablet (Page 26).**
- **Tighten the cover to keep the salt container sealed after unpacking.**
- **Do not swallow any salt tablets.**
  - If salt tablets are swallowed by accident, drink enough water immediately. (It is recommended to drink 500 mL water per salt tablet.)
  - If too many salt tablets are swallowed, or if a patient with hypertension or heart disease swallows salt tablets by accident, consult a doctor at once.

# EACH PARTS IDENTIFICATION

## Main unit

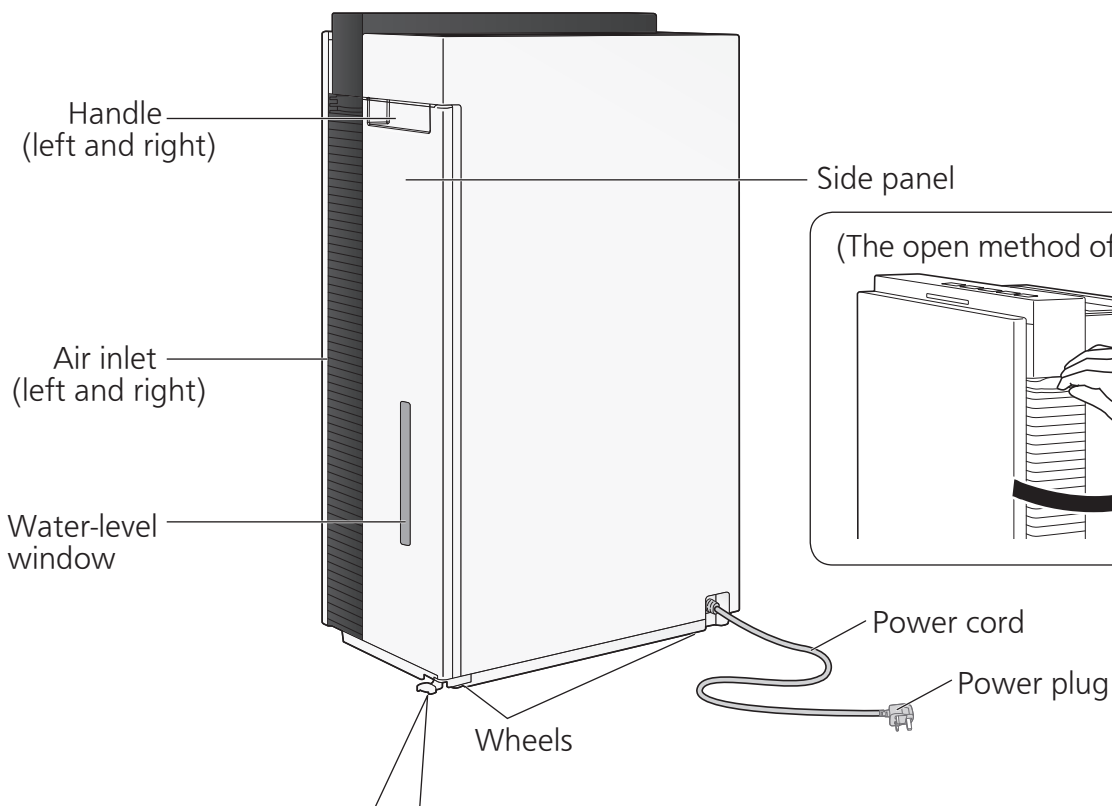


Before the first use, please remove the cardboard and blue tape.

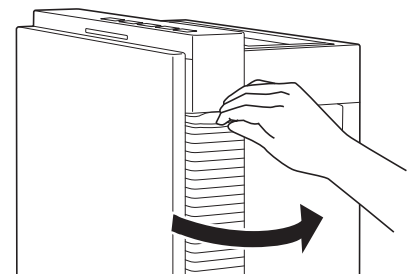


(For how to remove the front panel, please see page 21.)

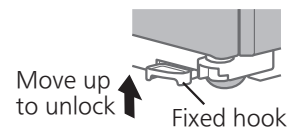
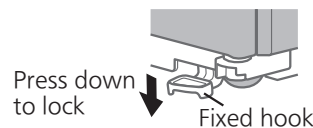
CONFIRMATION  
AND SETUP



(The open method of side panel)



- Lock the wheels: press down the fixed hook.
- Unlock the wheels: move the fixed hook up.



(The product may move on a slippery floor even if wheels are locked.)

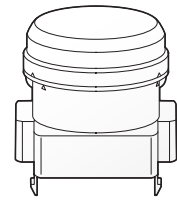
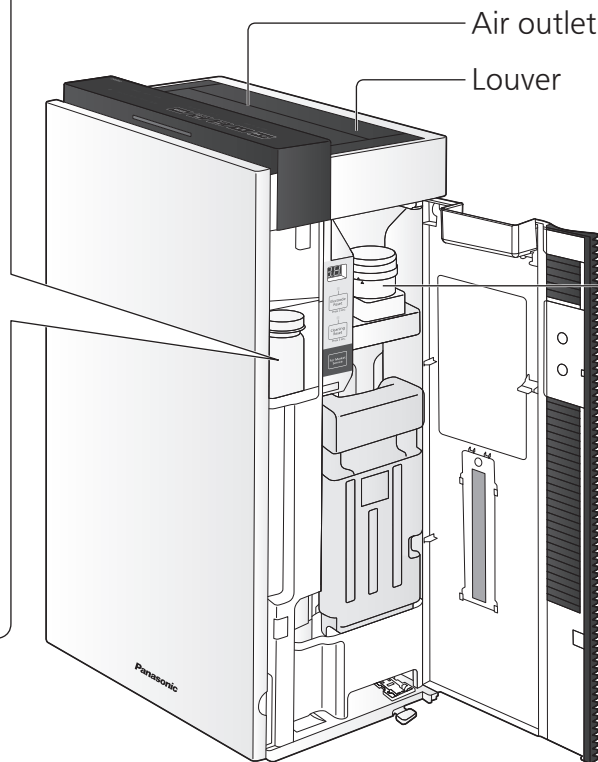
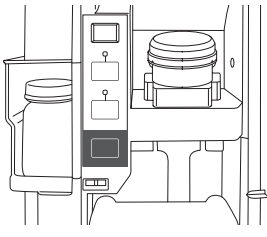
# EACH PARTS IDENTIFICATION

## Accessories

- Salt tablet  
(About 300 tablets)

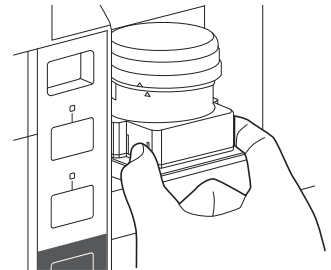


Salt tablets can be stored inside the main unit.



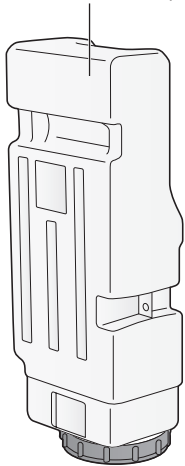
Automatic salt tablet adding assembly

The automatic salt tablet adding assembly is removable. To remove it, press the left and right buckles with your fingers at the same time.



To install it, with the buckle side facing forward, embed it into the holes on the main unit.

Water supply tank  
(Referred to as the tank in the main text)

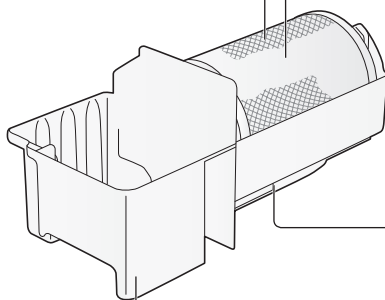


Digital display  
Maintenance panel  
Slider latch

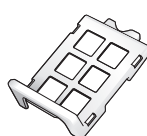
Floater  
(two, inside)

Sterilization filter assembly

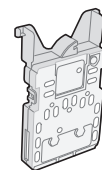
Water collection part



Tray

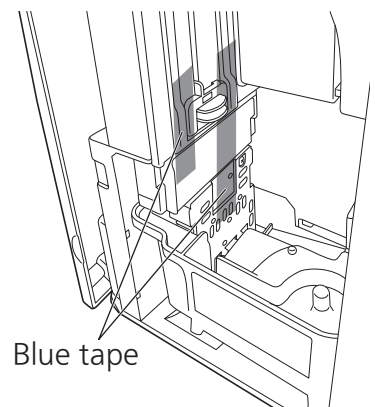


Anti-fungus assembly (inside)



Electrode unit (inside)

Before the first use, please remove the blue tape for fixing the electrode unit.

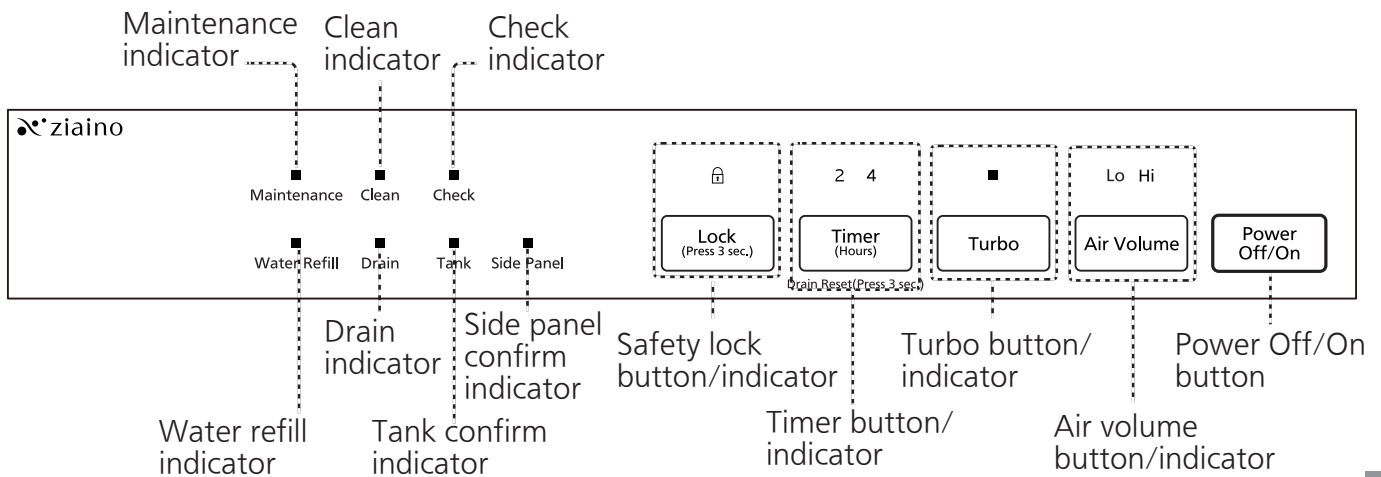


Blue tape



# EACH PARTS IDENTIFICATION

## Control panel



■ **Maintenance indicator**  
 If the cleaning reset indicator, the electrode reset indicator lights on, or if "00" appears on the digital display of the maintenance panel (the automatic salt tablet adding assembly runs out of salt tablets), the maintenance indicator lights on, maintenance should be performed according to the instructions.

■ **Clean indicator**  
 When the indicator lights on, the automatic cleaning operation is in progress. (Page 15)

■ **Check indicator**  
 If this indicator lights on, the product is abnormal.  
 → If this indicator lights on, please check the error code displayed on the digital display. (Page 31~32)

■ **Water refill indicator**  
 If this indicator lights on and the product sounds "BIBI" for five times, it is required to refill the water tank with water. (Page 16)

■ **Drain indicator**

- When the drain indicator lights on  
 After the last drainage, the drain indicator lights on simultaneously when the water refill indicator lights on the 7th time. If the water tank is removed while the drain indicator is blinking, the drain indicator lights on.  
 → If the drain indicator lights on, drainage is required.
- When the drain indicator blinks  
 After the product is powered on for 1 week (168 hours), if the water refill indicator does not light on the 7th time, the drain indicator blinks, notifying that the drainage time is approaching. (The product can still operate even if the drain indicator blinks.)  
 → If the drain indicator blinks, it is required to empty the tray.  
 For the detailed drainage method, see page 16~18.

■ **Tank confirm indicator**  
 The indicator lights on when the tank is not installed.

■ **Side panel confirm indicator**  
 The indicator lights on when the side panel is opened.

- While the side panel is open, the side panel confirm indicator stays steady on.
- If the side panel is opened during operation, the product will sound "BIBIBIBIBI", the side panel confirm indicator will light on and the operation will be paused.  
 The product enters preparatory operation in about 20 seconds after the side panel is closed. After the preparatory operation is completed, the product returns to the operation mode before the side panel is opened.






# EACH PARTS IDENTIFICATION

## Status indicator

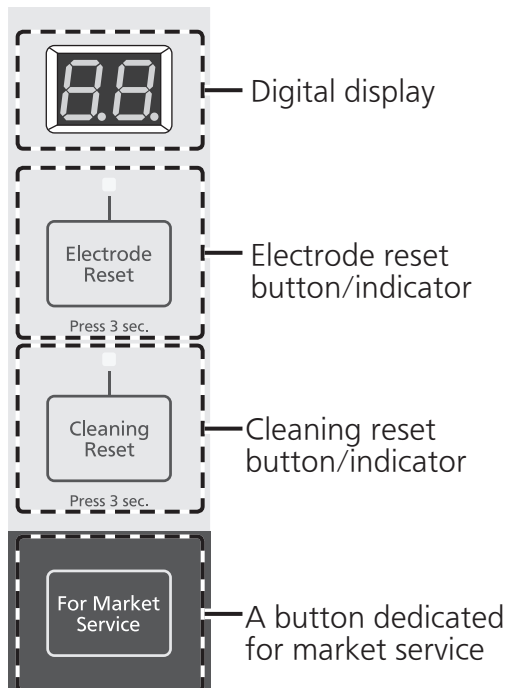



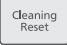

This indicator shows the air pollution level and the product operation status.

- When the status indicator lights on, the air pollution level is displayed; when it blinks, the product operation status and various notifications are displayed.
- The status indicator can be turned off. (Page 29)

<p>The indicator lights on in blue (when the air is clean)</p> <ul style="list-style-type: none"> <li>• 1~5 in blue: normal operation is in progress</li> </ul>  <ul style="list-style-type: none"> <li>■ If the product continues to operate and the air remains clean, based on the purification time, 1 to 5 blue status indicators will light on.</li> </ul>	<p>The indicator lights on in red (when air pollution is detected)</p> <p>One in red:  dirty</p> <p>Three in red:  very dirty</p>
<p>The indicator blinks in blue (operation status)</p> <ul style="list-style-type: none"> <li>• Preparatory operation is in progress</li> </ul>  <ul style="list-style-type: none"> <li>• Drying operation of the sterilization filter is in progress</li> </ul> 	<p>The indicator blinks in red (various notifications)</p> <p>One in red: It is time to add salt tablet, it is required to replace the electrode unit, or the clean indicator, the check indicator, the water refill indicator, the drain indicator, the tank confirm indicator or the side panel confirm indicator lights on.</p> <ul style="list-style-type: none"> <li>■ When the water refill indicator stays steady on for more than 4 hours, three indicators instead of one indicator will blink in red.</li> </ul>

## Maintenance panel

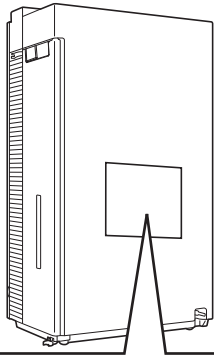


- When the digital display shows an error code
  - One letter and two digits of the error code are displayed alternately as a reminder. → Please check the error code
- When the digital display scrolls automatically
  - The drain indicator lights on. → Please perform drainage.
- When the electrode reset indicator blinks or lights on
  - Blinking: It is almost time to replace the electrode unit. → Please replace the electrode unit.
  - Steady on: The product does not work. → Please replace the electrode unit.
- When the cleaning reset indicator lights on (About once a month)
  - Please perform maintenance.
  - Clean the tray, anti-fungus assembly, sterilization filter assembly, and HEPA composite filter, and then install them back into the main unit.
  - After installation, press and hold  for approximately 3 seconds.
    - If you clean the product before the cleaning reset indicator lights on, press and hold  for approximately 3 seconds as well.
- A button dedicated for market service
  - This button is used for factory maintenance and spot check. (No customer operation is required.)

# SETUP

## Before startup

### 1 Fill in the label with the first date of use.



Replacement HEPA composite filter  
(HEPA by JIS Standard)  
Part No. F-ZPWP50Z

Date installed:

Replacement Sterilization filter  
Part No. DJPV50C00001

Date installed:

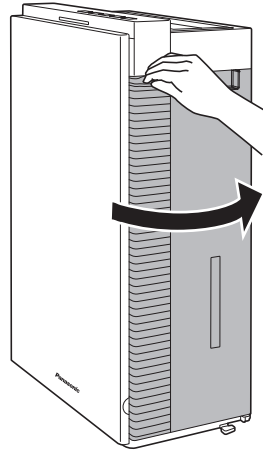
#### Notice

Please be sure to read page 2~5 before you are ready to power on the product.

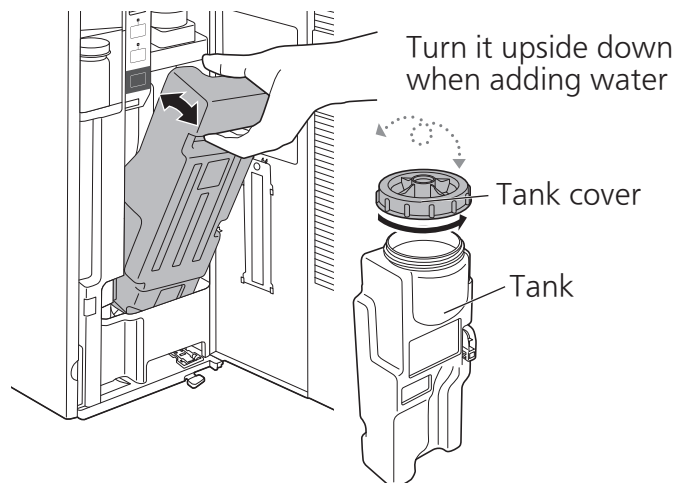
## Remove the tank

### 2 Remove the tank from product.

① Open the side panel.



② Remove the tank, unscrew the tank cover.



Turn it upside down when adding water

The water tank can stand upright. Be careful not to overturn it.

## Filling the water tank up and putting salt tablets into the automatic salt tablet adding assembly

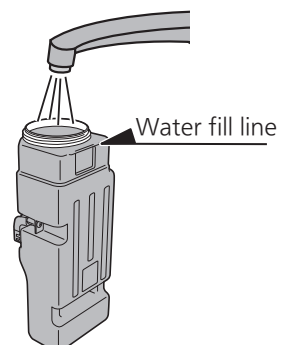
### 3 Filling the water tank up

① Filling the water tank up

- Be sure to fill it up with water.

② Screw the tank cover tightly.

- During tightening, hold the water tank with your hand to avoid tilting.



# SETUP

Filling the water tank up and putting salt tablets into the automatic salt tablet adding assembly

Installing the water tank back to the product and closing the side panel

## 3 Filling the water tank up

### ■ Make sure to use the tap water.

(Because chlorination has been performed generally for tap water and hence the miscellaneous bacterium is difficult to breed.)

### ● Do not use the following water.

- Warm water above 40 °C, or water mixed with detergents. (Otherwise, the tank deformation may be caused.)
- Water mixed with chemicals, air fresheners and essential oils. (Otherwise, the tank may be damaged and the furniture, appliances, etc. may be wet. →Page 5)
- Water from a water purifier, alkaline ion water, mineral water (Otherwise, mildew and miscellaneous bacterium may multiply fast.)
- Well water (Otherwise, mildew and miscellaneous bacterium breeding may be caused, discoloration may occur, and the replacement cycle of the electrode unit may be shortened.)

### ■ A full tank of water supports continuous operation of approximately 6 hours. The continuous operation time may be longer in the "Air volume" mode.

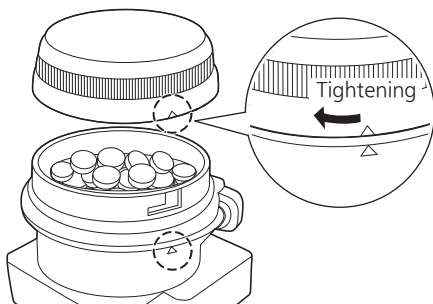
(When the product operates in the "Turbo" mode in an environment where the room temperature is 20 °C and the relative humidity is 30%.)

## 4 Putting salt tablets into the automatic salt tablet adding assembly

① Remove the automatic salt tablet adding assembly from the main unit, open the cover and put 60~70 salt tablets into the assembly.

→For how to remove the automatic salt tablet adding assembly, see page 8.

- Do not overfill the assembly with salt tablets.
- Refill the automatic salt tablet adding assembly with salt tablets (about once every 6 months).

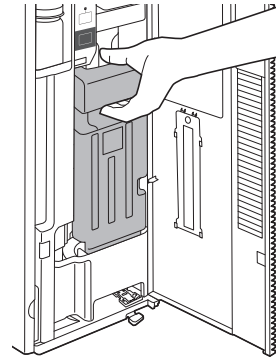


■ Be sure to use the supplied salt tablets or the replacement salt tablets specified in "OPTIONAL ACCESSORIES" (Page 26).

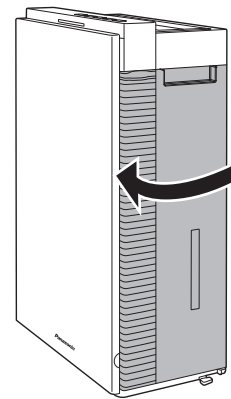
② Tighten the cover of the automatic salt tablet adding assembly and install the assembly into the main unit.  
• Be sure to tighten the cover of the automatic salt tablet adding assembly until the two △ marks are aligned.

## 5 Put the tank back to the product and close the side panel.

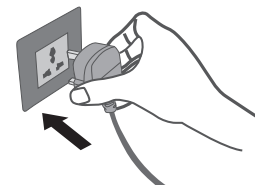
① Put the tank back to the product.



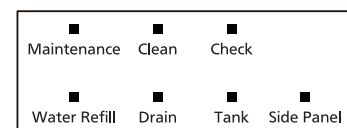
② Close the side panel.



## 6 Connect the power plug.

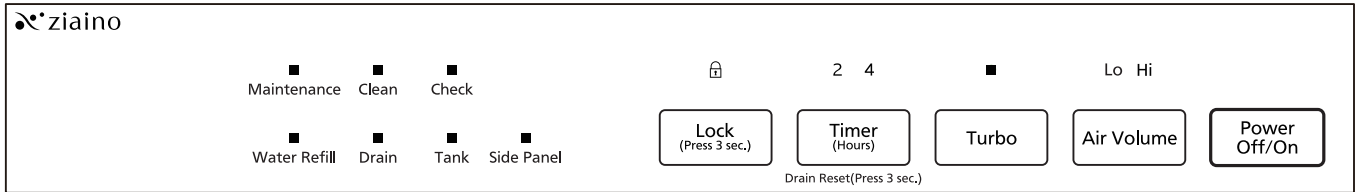


■ Make sure all of the following indicators are off.

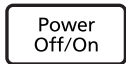


## 7 A salt tablet drops automatically into the tray.

# OPERATION



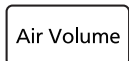
## 1 Start to operate.



When used for the first time, the product operates with "Air Volume" set to "Lo" and "Electrolytic Strength" to "Medium". From the next time, the product will start with the settings when it stops operation last time.

- The product enters preparatory operation in about 20 seconds after the button is pressed. (The status indicator blinks in blue.)
  - The product does not blow out air during preparatory operation.
- After the preparatory operation is completed, the product starts to operate. (The status indicator lights on)

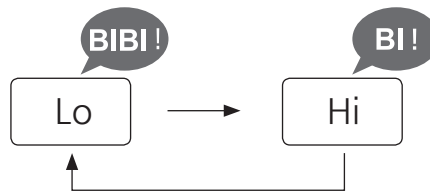
## 2 Select air volume mode



Press this button to switch the air volume level by level.

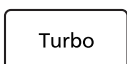


(The indicator lights on)



- It can be set during preparatory operation.

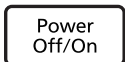
## 3 Select Turbo mode



(The indicator lights on)

In "Turbo" mode, the electrolytic strength is "High" and the product runs at its maximum air volume.

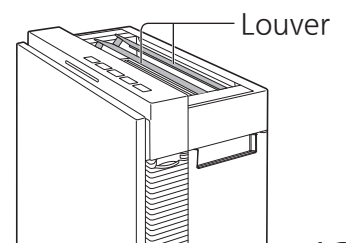
## 4 Stop operating.



- The product continues to blow air for about 10 seconds after the button is pressed. (The purpose is to drain the hypochlorous acid accumulated in the main unit.)

### Notice

- When the product is operating, do not adjust the louver manually. (Otherwise, it can not operate according to the set angle.)
  - If you adjusted them manually, please stop the product. (The product can reset to the normal state when starts again.)



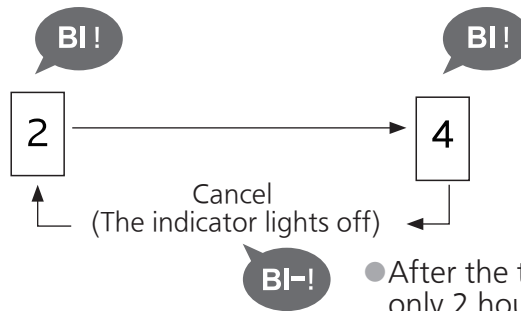


# OPERATION

## Timer

Timer  
(Hours)

Press this button to set a timer  
(The timer indicator lights on)



### ■ The timer is cancelled in the following cases:

- The water tank runs out of water before the timer is up. (The product stops working.)
- The water tank is removed before the timer is up. (The product stops working.)

- After the timer is set to "4" hours, when only 2 hours are left, "2" lights on on the control panel.

## Drainage reset

When the drain indicator lights on, drainage is required. After completing drainage according to the drainage method (Page 16~18), connect the power plug. Then, the timer indicators **2** and **4** blink, indicating that drainage needs to be reset. Press and hold **Timer (Hours)** for approximately 3 seconds to reset drainage.

If drainage is performed before the drain indicator lights on, after drainage has finished, you also need to press and hold **Timer (Hours)** for approximately 3 seconds to reset drainage.

## Locking the operation

Lock  
(Press 3 sec.)

(Press the button for about 3 seconds)  
(The indicator lights on)

The purpose is to prevent misoperation.

With this setting, if you press any button other than **Lock (Press 3 sec.)**, the product will sound "BI-BI-" and operation is not possible.

### ■ To cancel this mode

Press the button for about 3 seconds again. (The indicator lights off)

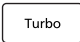
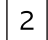
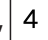

# OPERATION

## Selecting the electrolytic strength


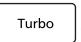
The product is in standby mode



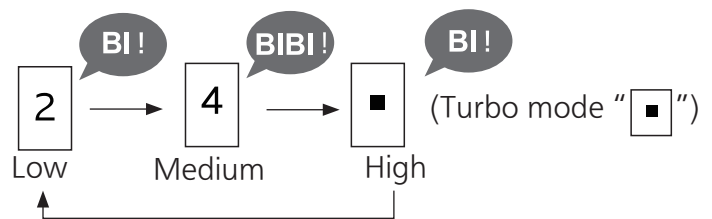
Press and hold the button for about 3 seconds to enter the switching state.

In the switching state, when you press , the indicator switches level by level among ,  and .

(The right figure shows the corresponding electrolytic strength.)

Select your desired electrolytic strength, press  and  at the same time to confirm and exit from the switching state.

The following figure shows the change of electrolysis strength.



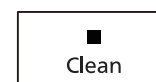
- If you are not satisfied with the smell in the room, or if you want to improve the sterilization effect, select "High" or "Turbo" mode. (You may smell some chlorine during electrolysis.) (The factory setting of the electrolytic strength is "Medium".)
- You can only switch the electrolytic strength for "Air volume". The electrolytic strength for "Turbo" mode is "High" and cannot be switched.

## Cleaning operation (Auto)

- In order to keep its inside clean, the product will automatically perform the cleaning operation regularly. (During the cleaning operation, a gentle breeze may blow out and the clean indicator lights on. After cleaning, the clean indicator lights off.)

### Notice

- Please check that there is water in the tank as the cleaning operation is not possible when the tank need to add water.
- Do not disconnect the power plug since automatic control is active when the product is idle.



(Clean indicator lights on)

# WATER SUPPLY/DRAINAGE METHOD

- Disconnect power supply before water supply/drainage.

## CAUTION

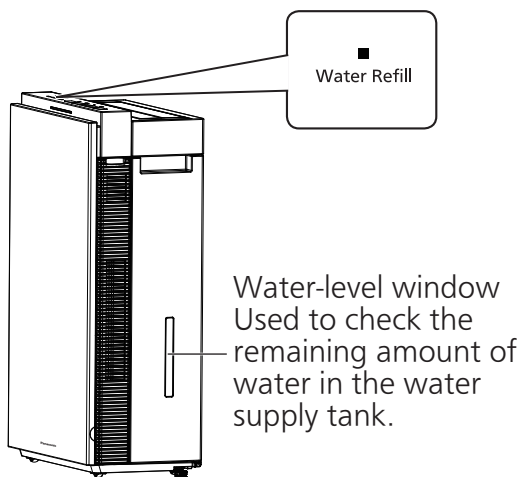


- Make sure that no water spills out when carrying the tank or tray. If any water spills out, wipe it off immediately.

(If water spills out on the floor, etc., discoloration or deterioration may be caused due to the bleaching effect of hypochlorous acid.)

## Water supply method

- When the tank need to add water, the product will sound "BIBI" 5 times and stop operating. (The water refill indicator lights on.)



- 1 Remove the tank from the product and fill it up with water.

- For how to remove the tank and fill it up, see "SETUP" on page 11~12.

- 2 Install the tank back to the product.

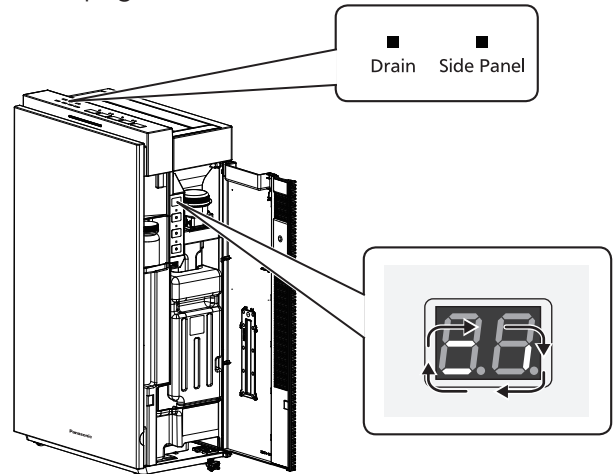
- For how to reinstall the tank, see "SETUP" on page 12.

### Notice

- When needed, salt tablets are automatically added. The automatic salt adding cycle is "about 1 tablet per 3 days". Do not add salt tablets every time when you add water because the salt concentration will be increased.

## Drainage method

- When it is time to empty the tray, the drain indicator lights on. Meanwhile, the digital display scrolls automatically as a reminder. If the product is in operation, the operation is stopped.
- For the time when the drain indicator lights on, see page 9.

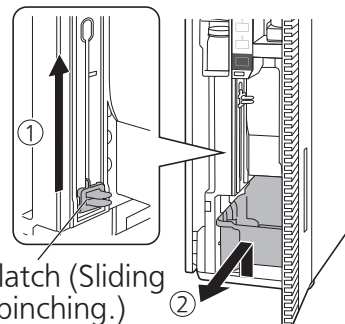


- 1 Remove the tank from the product.

- For how to remove the water tank, see "SETUP" on page 11.

- 2 Remove the tray from the product.
  - Drain the tray regularly (about once a week).

- ① Slide up the slider latch to the top.
- ② Remove the tray.



Slider latch (Sliding while pinching.)

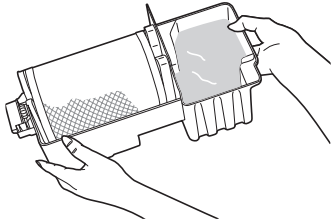
- ※ You cannot take the tray out without lifting the slider latch (electrode unit). Therefore, be sure to check that the electrode unit is lifted before taking the tray out.

# WATER SUPPLY/DRAINAGE METHOD

## Drainage

### 3 Empty the tray.

- ① Do not tilt the tray when carrying it.



- ② Empty the tray.  
• If the tray is not emptied, the drain indicator is always on and the product does not work.



- Please hold the sterilization filter by hands

Meanwhile, turn on the tap to flush the sink clean.

- ③ Wipe the water off from the water collection part (i.e. the dent used to collect water dripping from the electrode unit) if any.



## CAUTION



- When draining the water, turn on the tap to flush the sink clean.

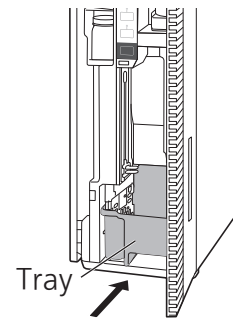
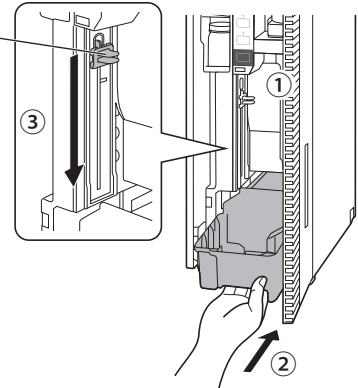
(Otherwise, the metal sink and water pipe may oxidize to form rust.)

## Install the tray back to the product

### 4 Install the tray back to the product.

- ① Set slider latch at the top position.  
② Install the tray.  
③ Slide down the slider latch to the bottom.

Slider latch  
(Sliding while pinching.)



- Make sure that the tray is securely installed on the main unit.

# WATER SUPPLY/DRAINAGE METHOD

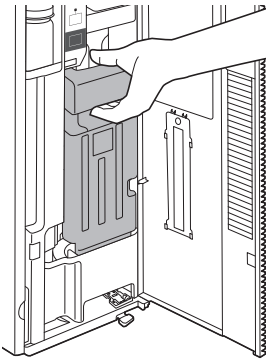
Filling the water tank up with water and installing it back into the main unit

Salt tablets dropping automatically

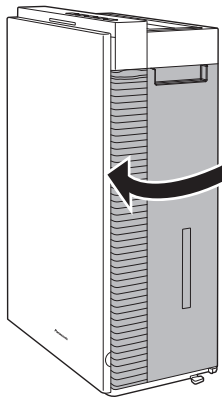
**5** Fill the tank with water and install it back to the main unit, then close the side panel.

- For how to fill the water tank up with water, see "SETUP" on page 11~12.

① Install the tank back to the main unit.



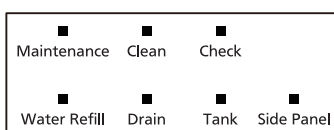
② Close the side panel.



**6** Connect the power plug.

- The timer indicators **2** and **4** blink, indicating that drainage needs to be reset. Press and hold **Timer (Hours)** for approximately 3 seconds to reset drainage.

- Make sure all of the following indicators are off.



## Notice

Make sure to run the "Drainage reset", otherwise the product cannot operate.

**7** A salt tablet drops automatically into the tray.

- When a salt tablet drops into the tray, a "click" sound is heard.
- If the automatic salt tablet adding assembly runs out of salt tablets, the maintenance indicator lights on, "00" is blinking on the digital display of the maintenance panel and the product does not work.  
→ Please add salt tablets. (Page 12)
- If salt tablets are stuck in the automatic salt tablet adding assembly, please remove them.



# MAINTENANCE

## Precautions before maintenance

### WARNING



- **Make sure to disconnect the power plug before cleaning the product.**

(Otherwise, the product might operate with the possibility of electric shock or injury.)



- **Do not use acidic detergents or citric acid.**

(Otherwise, toxic gas may be produced, which is harmful to your health.)

### CAUTION



- **Make sure that no water spills out when carrying the tank or tray. If any water spills out, wipe it off immediately.**

(If water spills out on the floor, etc., discoloration or deterioration may be caused due to the bleaching effect of hypochlorous acid.)



- **When draining the water, turn on the tap to flush the sink clean.**

(Otherwise, the metal sink and water pipe may oxidize to form rust.)



- **Do not clean the product with gasoline or other volatile mixture solvents, and avoid contacting with spray insecticides.**

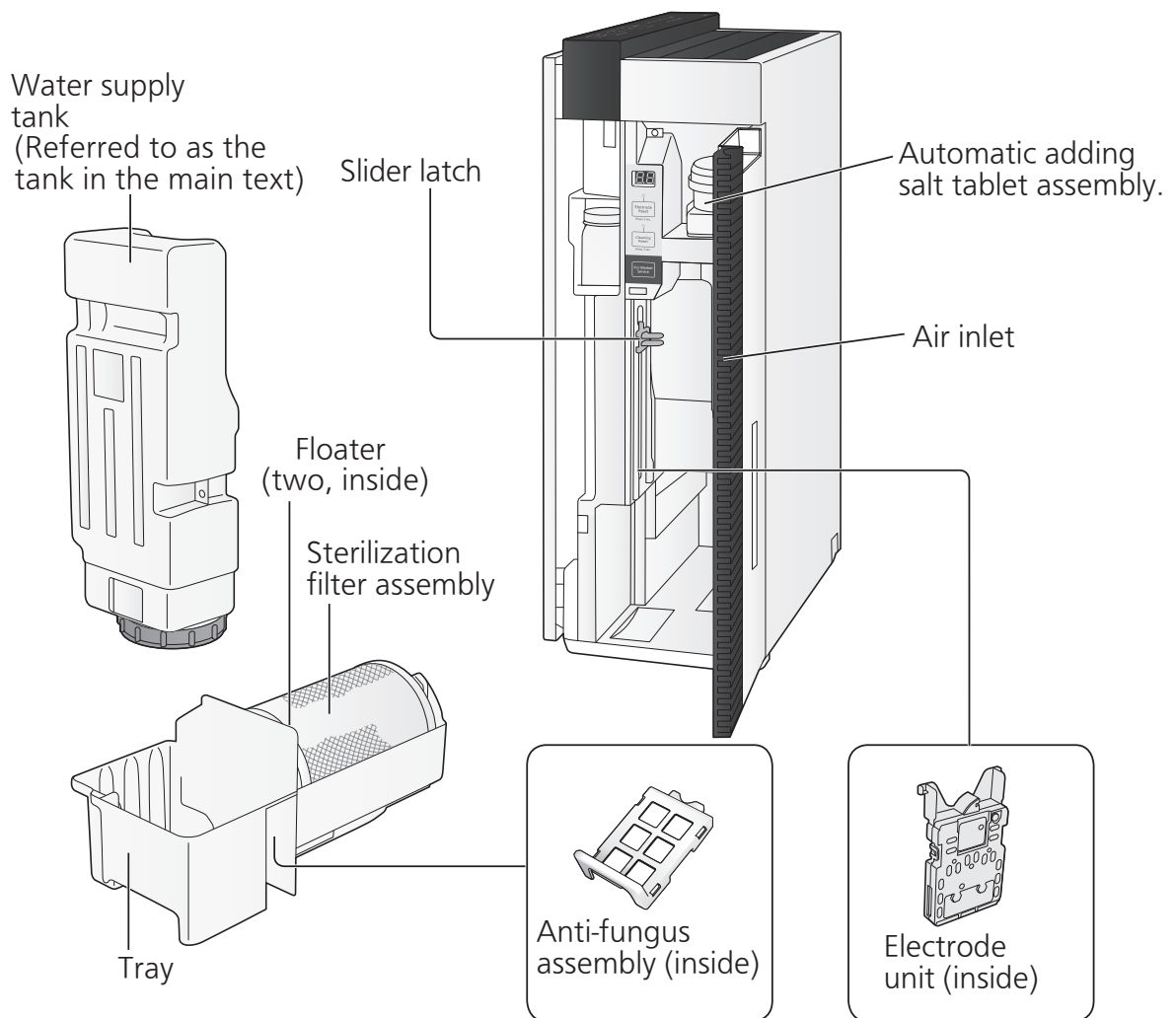
(Otherwise, the product may crack or short circuit with the possibility of injury, fire or electric shock.)

- Do not use the detergents shown at right.
- When using chemically treated cloth, be sure to follow the instructions carefully.



- As the degree of dirtiness varies with the water quality and operating environment, maintenance may be required even before the cleaning reset indicator lights on or before the specified time is reached, as long as there is an unpleasant odor or the water in the tank is reduced at a slower speed.

# MAINTENANCE



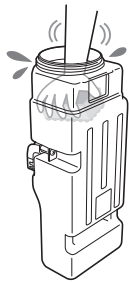
## Notice

- When maintenance, do not leave the removed parts unattended. (Otherwise, it may cause tripping or damage.)

# MAINTENANCE

## Tank <every day>

Wash it with water



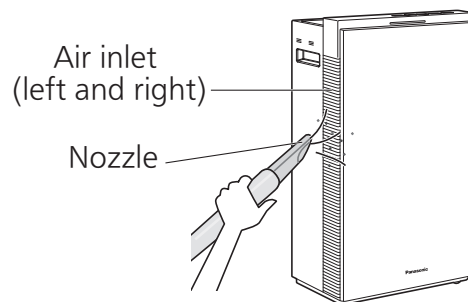
## Front panel and Body < about once a month >

**Wipe off any dust and dirt using a well wrung-out soft cloth**

- Do not wipe it with a hard cloth or hardy. Otherwise, the surface may be damaged.
- Wipe the power plug with a dry cloth.

### Air inlet

Remove the dirt with a vacuum cleaner, etc.

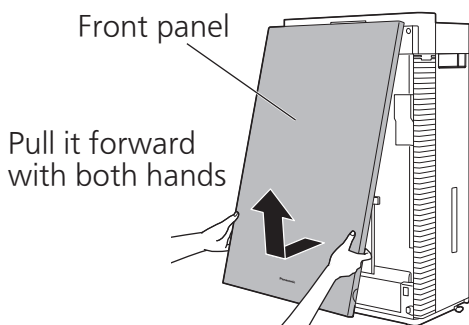


- When the main unit becomes dirty during normal use, clean the main unit with a wrung wet cloth.

## The removal / installation methods of front panel · HEPA composite filter

### The removal method of front panel

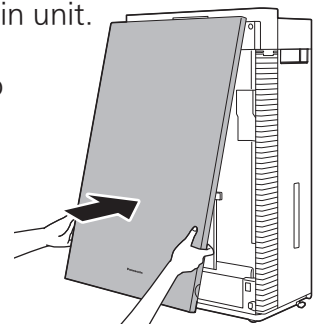
Pull front panel forward with both hands.



### The installation method of front panel

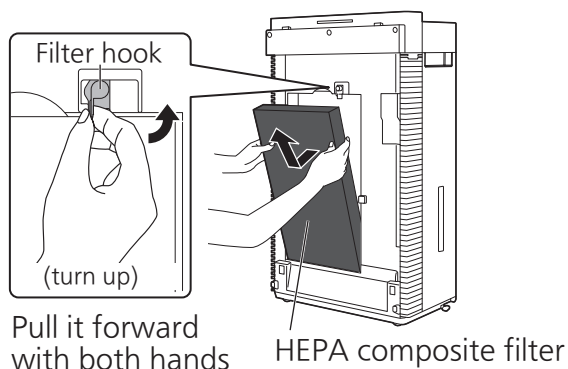
- ① Hang the upper hook of the front panel on the main unit.
- ② Push the lower part of the front panel into the main unit.

Push it in until it clicks into place



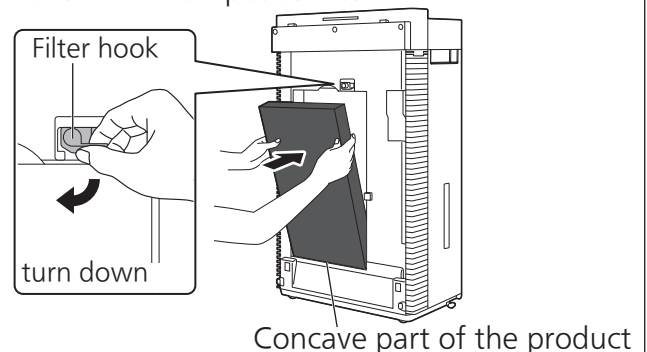
### The removal method of HEPA composite filter

Toggle the filter hook upward, and remove HEPA composite filter.



### The installation method of HEPA composite filter

- ① Align the HEPA composite filter with the dent of the main unit and place it into the main unit.
- ② Toggle the filter hook downward to secure the HEPA composite filter.

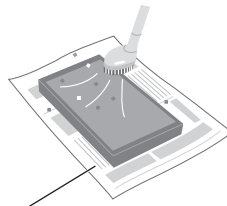


# MAINTENANCE

## HEPA composite filter <About once a month>

### Clean the black side (front side) with a vacuum cleaner, etc.

- Please do not apply too much pressure, otherwise the filter may be damaged.
- Maintenance is unnecessary for the white side (back side).
- Do not wash the filter with water.
- If you are worried about dirt, perform maintenance once a month.



Lay with newspapers etc. to avoid dust messing floor.

### Notice

- Do not operate the product when the HEPA composite filter is not installed. (Dust will be inhaled into product inner parts, and causes the product breakdown. The HEPA composite filter cannot function while it is not installed.)

### Reference replacement cycle of the HEPA composite filter

Replacement cycle	About once a year *
Conditions	The product runs 12 hours a day.

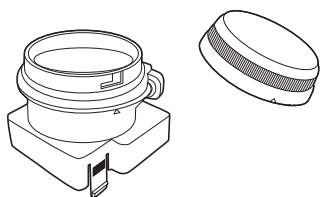
(Optional accessories: Page 26)

※ As the degree of dirtiness varies with the operating environment, replacement may be required even within 1 year if there is still an unpleasant odor upon maintenance.

- Fill in installation date on the label attached with filter, then stick it on product to cover the old date.
- please dispose the used HEPA composite filter as non-flammable garbage.
- If the product is used in a room (especially hotel) with strong odor such as aromatic smell, cigarette smoke or barbecue smell, these odors may adhere to the filter, when the adsorption capacity of the filter reaches saturation, odor will also be blown out again with the wind because of excess adsorption. When there is above situation, please clean the HEPA composite filter. If the situation persists, please replace the HEPA composite filter, even if the filter replacement cycle is not reached. In addition, if often used in a room with strong odor, please open the windows to ventilate the room regularly.

## Automatic salt tablet adding assembly

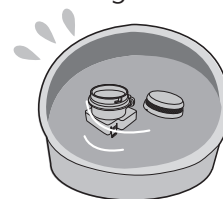
It is not required to maintain the automatic salt tablet adding assembly as long as it works normally.



### Notice

- After soaking and washing, leave the automatic salt tablet adding assembly to fully air dry before use. (If there is residual water, salt tablets will melt and harden.)
- When the product will not be used for a long time, do not leave salt tablets in the automatic salt tablet adding assembly.

When the salt tablets are hardened and cannot be removed, soak the automatic salt tablet adding assembly before cleaning.

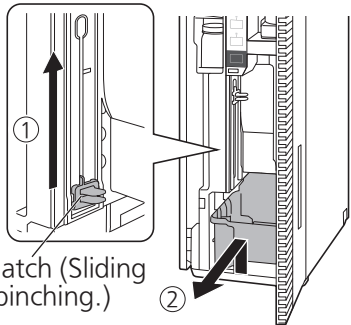


# MAINTENANCE

## Tray <About once a month>

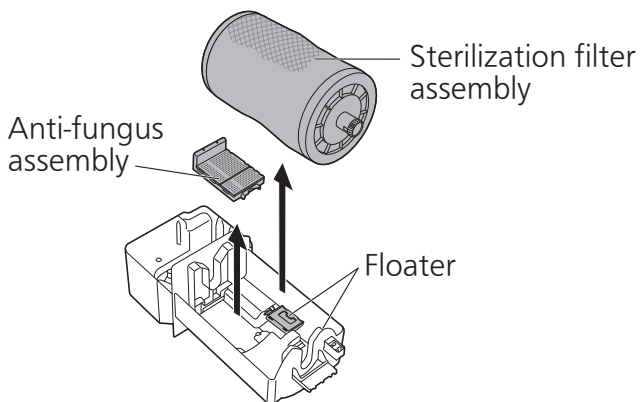
### 1 Remove the tray from the main unit.

- ① Slide up the slider latch to the top.
- ② Remove the tray.



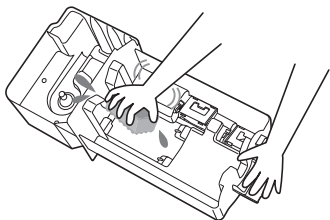
※ You cannot take the tray out without lifting the slider latch (electrode unit). Therefore, be sure to check that the electrode unit is lifted before taking the tray out.

### 2 Remove the sterilization filter assembly and anti-fungus assembly from the tray.



■ Do not remove the floater (expanded polystyrene). (The product may not work if they are not installed correctly.)

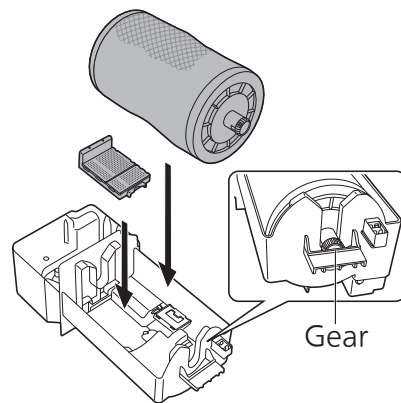
### 3 Wash it with water



- Remove the incrustation and any other dirt with a soft cloth moistened in water.
- Wipe the dirt with a swab, or use a toothbrush to scrub it.
- If there are any stubborn stains, soak it in warm water at 40 °C or below.

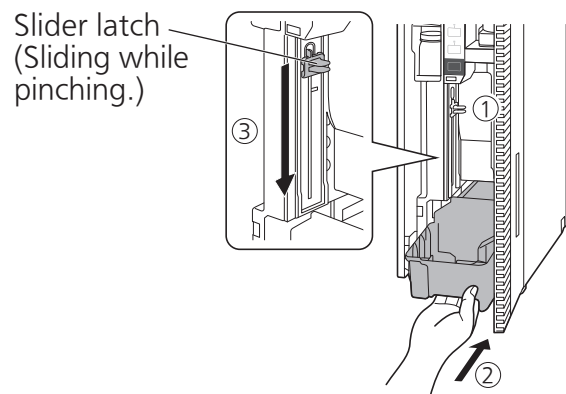
### 4 Install the sterilization filter assembly and anti-fungus assembly onto the tray.

- ① Place the anti-fungus assembly horizontally into the recess.
  - Pay attention to the orientation when placing it in.
- ② Install the gear of the sterilization filter assembly into the recess of the tray.



### 5 Install the tray back to the main unit.

- ① Set slider latch at the top position.
- ② Install the tray.
- ③ Slide down the slider latch to the bottom.



#### Notice

- Be sure to empty the tray before installing it back to the main unit.



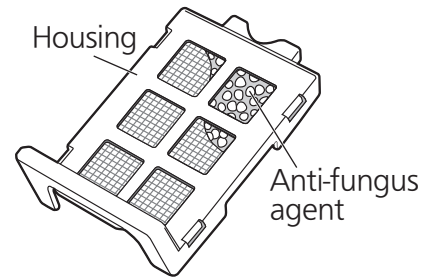
# MAINTENANCE

## Anti-fungus assembly <About once a month>

Wash it with water.

(For removal and installation methods of tray, please see page 23.)

- Do not scrub it with a brush, nor disassemble it.
- Check whether the housing of the anti-fungus assembly is dirty.  
→ If dirty, wipe it clean with a soft cloth.



### Notice

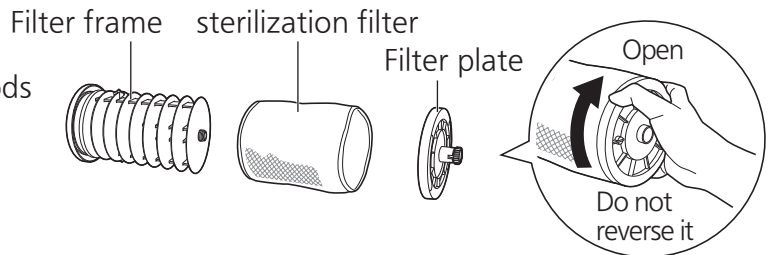
- The anti-fungus assembly may have powder sometimes. This is normal and not a problem with use.
- The anti-fungus agent will be small along with the use. This is not a problem with the anti-fungus performance.
- The anti-fungus agent has its own special smell, harmless to humans.

## Sterilization filter assembly <About once a month>

### 1 Disassemble

(For removal and installation methods of tray, please see page 23.)

Remove the filter plate and sterilization filter from the filter frame.



### 2 Wash

Press and wash sterilization filter with clean/warm water.

- Do not scrub it with a brush or wash it with a washing machine.
- Do not dry it with a drier. (Doing this may cause shrinkage)
- Wash the filter frame and filter plate with water



### 3 Install

- ① Insert the sterilization filter into the filter frame.
  - ② Install the filter plate onto the filter frame.
- Do not leave a gap between the sterilization filter and the filter plate as well as the filter frame, nor press the round parts of both ends. (Otherwise, performance degradation may be caused.)

## Reference replacement cycle of the sterilization filter

(Optional accessories: Page 26)

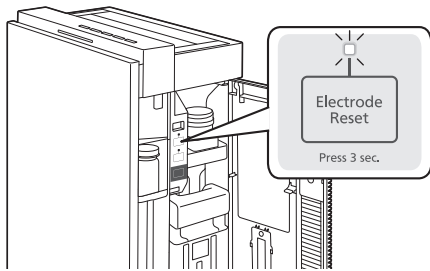
Replacement cycle	About once every 5 years *
Conditions	The product runs 12 hours a day.

※ As the degree of dirtiness varies with the water quality and operating environment, replacement may be required even within 5 years if there is still an unpleasant odor or the water in the tank is reduced at a slower speed upon maintenance.

- Please dispose of the used sterilization filter as non-combustible garbage. However, do not discard the filter frame and filter plate.
- After replacement, fill in the replacement date on the back label of the product.

# MAINTENANCE

## When replacing the electrode unit



### When the electrode reset indicator blinks

- When the electrode reset indicator blinks, replace the electrode unit.  
Please contact the dealer for replacement.
- The electrode reset indicator will light on after blinking for about one month. (When the electrode reset indicator becomes steady on, the product cannot operate.)
- About once every 5 years.  
(In the case that the product runs 12 hours a day.)
- The replacement cycle may vary with the water quality and operating environment.

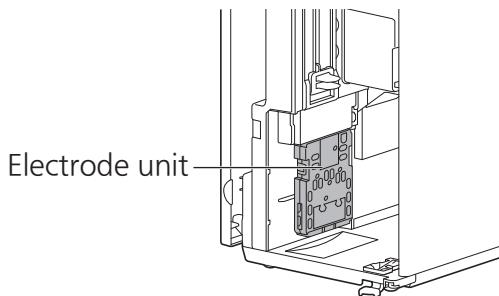
#### Notice

- Be sure to use the electrode unit dedicated for this product. (See "Optional accessories" on page 26.)
- When lifting up or pressing down the electrode unit, please pinch the slider latch to move it.

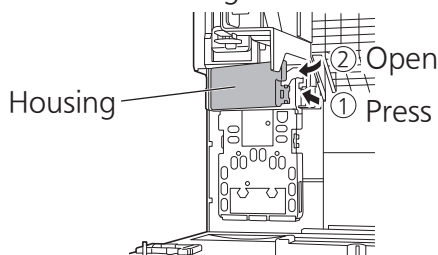
### Removing/Installing the electrode unit

#### ■ Removing

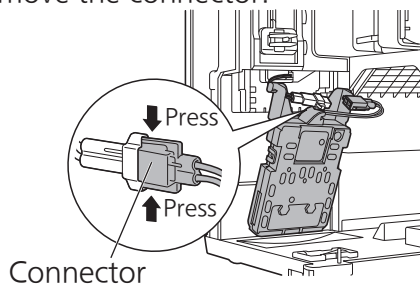
- ① Disconnect the power plug.
- ② Take the tank out.
- ③ Lift the slider latch (electrode unit) up.
- ④ Remove the tray from the main unit.
- ⑤ Press the slider latch down (electrode unit).



- ⑥ Remove the housing of the electrode unit.



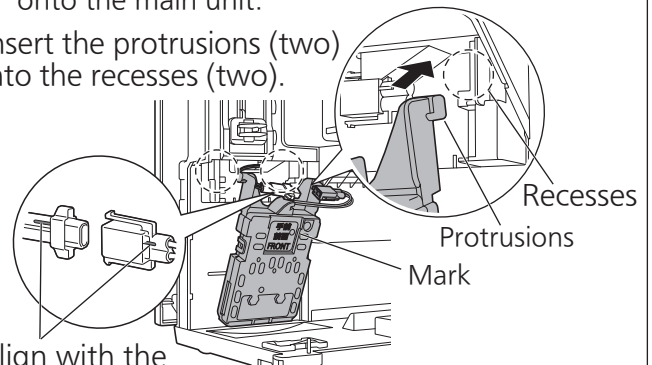
- ⑦ Remove the connector.



#### ■ Installing

- ① Install the new electrode unit onto the connector with the mark facing you, and then install them onto the main unit.

Insert the protrusions (two) into the recesses (two).

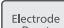


Align with the direction of the line

- ② Install the housing onto the electrode unit.



- ① Align the buckles with the holes.

- ③ Lift the slider latch (electrode unit) up.
- ④ Install the tray back to the main unit.
- ⑤ Pull the slider latch (electrode unit) down.
- ⑥ Install the tank back to the main unit.
- ⑦ Insert the power plug into the power outlet, press and hold  for about 3 seconds.

### Disposing of the electrode unit

- The electrode unit is a mixture of plastic and metal. Please dispose of it according to your local garbage classification rules.

# MAINTENANCE

## When idle for a long time

- ① Disconnect the power plug.
- ② Empty the tank and tray, and clean the product.
- ③ Wipe each part dry and install them back to the main unit.
- ④ Insert the power plug into the power outlet to enter drying operation of the sterilization filter.  
(To prevent mildew and miscellaneous bacterium breeding)

### Drying operation of the sterilization filter

When the product is in standby mode, press **Turbo** and **Air Volume** at the same time for approximately 3 seconds. The product enter drying operation of the sterilization filter.



(The status indicator blinks with blue.)

- It will stop automatically after about 2 hours.  
(Status indicator lights off)
- To cancel it halfway, press and hold these two buttons for about 3 seconds again.

#### Notice

- If the drying operation is canceled halfway, the sterilization filter may not be completely dried.

- ⑤ After the operation is stopped, disconnect the power plug and cover the main unit with a plastic bag or the like.
- ⑥ Store the product in a dry, level and stable place in an upright position.

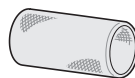
# OPTIONAL ACCESSORIES

- Replacement salt tablets  
(About 300 tablets)



Model No. F-ZPWL03Z

- Replacement sterilization filter



Not include filter plate and filter frame.

Model No. DJPV50C00001

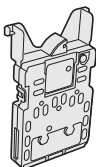
- Replacement HEPA composite filter



Model No. F-ZPWP50Z

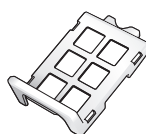
#### Maintenance Parts

- Replacement electrode unit



Model No. DJPV50C00002

- Replacement anti-fungus assembly



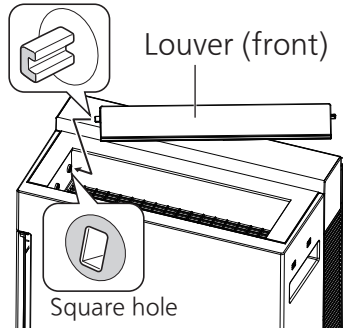
Model No. JDJPL7000023

Please contact the dealer for purchase or replacement of the above accessories.

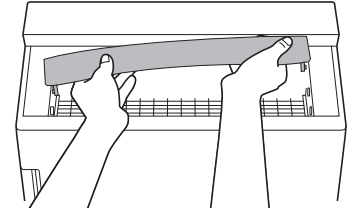
# WHEN THE LOUVER SHIFTS

## How to install the louver

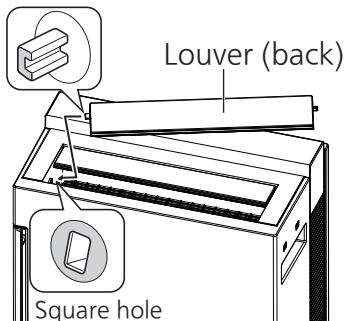
- 1 Insert the concave projection of the louver (front) into the square hole.  
Concave projection



- 2 Slightly bend the middle of louver, and insert the otherside into the other hole.



- 3 Insert the louver (back) in the same way.  
Concave projection



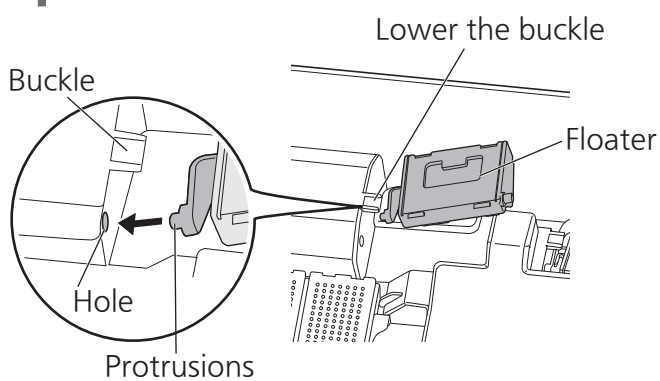
### Notice

The louvers are of the same shape and can be installed regardless of the front or rear.

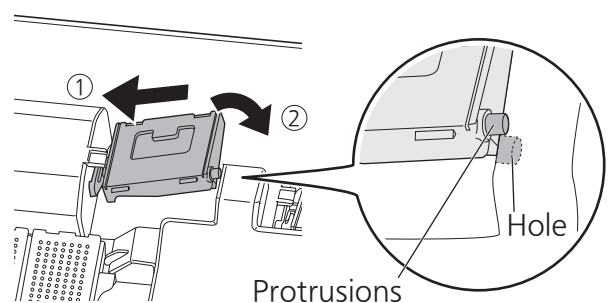
# WHEN THE FLOATER FALLS OFF

## How to install the floater

- 1 Put the protrusions into the hole of tray.



- 2 ① While pressing them in the arrow direction,  
② insert them into the holes on the other side.

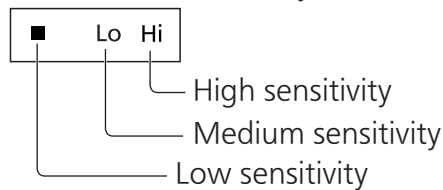


# FURTHER INFORMATION

## About odor sensor

The sensor can detect the pollution of the air, and show the pollution level by status indicator.

- The sensor's operation may vary depending on the indoor airflow condition if a heater is placed near the product in a room.
- The sensitivity of the sensor can be adjusted. (The default setting is "medium sensitivity" .)
- ① Stop operating the product, then press Timer (Hours) , Turbo and Air Volume at the same time for approximately 3 seconds. (The air volume indicators blinks in turn.)
- ② Please release the buttons, when the sensitivity is set as required.



Sensor	Sensing scope	May detect
Odor sensor	<ul style="list-style-type: none"> <li>•Odor from cigarettes, incense, cooking, pets</li> <li>•Cosmetics, alcohol, sprays, etc.</li> </ul>	<ul style="list-style-type: none"> <li>•Humidity (water vapor), oil</li> <li>•The wind generated when a door is opened or closed, or sudden temperature changes</li> </ul>

## About HEPA composite filter

The HEPA composite filter which with the Bio-sterilization and Super Allergy-buster can inhibit allergens (pollen, dead mites and feces), bacteria, mold.

- Super Allergy-buster: inhibits the activity of allergic substances (pollen, dead mites and feces).  
 Testing authority: Osaka Municipal Technical Research Institute  
 Test method: check the decrease of refined house dust mite allergen, by using enzyme immune measuring method.  
 Inhibiting method: contact with Super Allergy-buster  
 Target: allergens trapped by the filter (mites, pollen)  
 Test result: inhibited 99% and above. (Daikou research report No. 2127)
- The HEPA composite filter might emit unique and harmless smell of "Green Tea Catechin", "Bio-sterilization" and "Super Allergy-buster".
- Removes  $\geq 99.97\%$ \* of 0.3  $\mu\text{m}$  particles.  
 \*it's dust removing performance of filter itself, the effect in the entire room is not same.  
 Test No.: KJ202300624  
 Test Standard: JIS B 9908: 2011 Test method of air filter units for ventilation and electric air cleaners for ventilation



# FAQ

Please confirm the following before you put questions forward or send the product for repair.

**Q1** To turn off the status indicator.

**A**

- The status indicator of this product can be turned off.
- During operation, press **Air Volume** and **Timer (Hours)** at the same time for approximately 3 seconds. The status indicator is turned off.
- To make it light on again, press the buttons at the same time again for approximately 3 seconds. (The status indicator lights on.)
- The indicator blinks in red (notifying of water addition, drainage, maintenance, etc.) even if the status indicator is turned off.

**Q2**

Even if the maintenance indicator lights on, the product can still work. (The status indicator does not blink in red.)

**A**

- If the maintenance indicator lights on because the cleaning reset indicator lights on and the electrode reset indicator blinks, the status indicator does not blink in red. Even if the maintenance indicator lights on, the product can still work.
- This is temporary. When the cleaning reset indicator lights on, clean the tray and sterilization filter. When the electrode reset indicator blinks, get prepared to replace the electrode unit.

**Q3** The drain indicator does not light on.

**A**


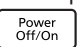
- Because the drainage frequency and time are reset each time, if drainage is performed before the drain indicator lights on, the drain indicator does not light on.

## TROUBLESHOOTING

If a problem is encountered, please investigate it by going through the following items. If the problem still persists, please disconnect the power plug and contact the dealer for repair.

Possible situation	Please confirm the following
① The air volume is small.	<ul style="list-style-type: none"> <li>● Is the air inlet or the HEPA composite filter clogged with dust or the like? → Clean the filter. (Page 21, 22)</li> <li>● Is there incrustation or dust accumulated on the sterilization filter assembly? → Remove the incrustation and dust. (Page 24)</li> </ul>
② No air is blown out.	<ul style="list-style-type: none"> <li>● Have 20 seconds elapsed after <b>Power Off/On</b> is pressed? → The product enters preparatory operation in about 20 seconds after <b>Power Off/On</b> is pressed. (Page 13) If no air is blown out even after 20 seconds have elapsed, contact the dealer.</li> <li>● Check whether there are salt tablets in the automatic salt tablet adding assembly. → Make sure that salt tablets have been put to the automatic salt tablet adding assembly. (Page 12)</li> </ul>

# TROUBLESHOOTING

Possible situation	Please confirm the following
③ Chlorine is smelt.	<ul style="list-style-type: none"> <li>● That is because hypochlorous acid decomposes dirt and odor. → If you do not like the smell of chlorine, switch to "Air volume" and adjust the electrolysis strength to "Low". (Page 15)</li> </ul>
④ The air coming out from the air outlet smells bad.	<ul style="list-style-type: none"> <li>● Is the product or HEPA composite filter dirty? → Clean it (Page 22). If the situation persists, replace the filter with a new one.</li> <li>● Are the tray and sterilization filter dirty, or are you not using new tap water? → Clean the tray, sterilization filter and tank (Pages 21, 23 and 24) and refill with new tap water. (Page 16~18)</li> <li>● Has the product ever been used in a room with strong odor? If the product is used in a room with strong odor such as aromatic smell, cigarette smoke or barbecue smell, the filter replacement period may be shortened. → If you use the product in such environments, it is recommended to open the air ventilation system or open the windows to ventilate the room at the same time. If there is still strong odor to be blown out after the maintenance, please replace the HEPA composite filter, even if the filter replacement cycle is not reaches.</li> </ul>
⑤ Water in the tank does not decrease.	<ul style="list-style-type: none"> <li>● Is the air inlet or the HEPA composite filter clogged with dust or the like? → Clean the filter. (Page 21, 22)</li> <li>● Is there incrustation or dust accumulated on the sterilization filter assembly? → Remove the incrustation and dust. (Page 24)</li> <li>● Is the humidity high or the room temperature low? → When the humidity is high or it's cold, the water in the tank decreases slowly.</li> </ul>
⑥ A "puchee" sound is heard.	<ul style="list-style-type: none"> <li>● This is the sound of supplying water from the tank. → It is not abnormal. Please continue to use the product.</li> </ul>
⑦ A sound is heard from around the tray.	<ul style="list-style-type: none"> <li>● Check whether the sterilization filter is securely installed. → Remove the tray. First remove the sterilization filter, and then reinstall it correctly.</li> </ul>
⑧ A "clatter" sound is heard from around the automatic salt tablet adding assembly	<ul style="list-style-type: none"> <li>● To prevent salt adhesion, the automatic salt tablet adding assembly works automatically.</li> </ul>
⑨ The indicator does not light on even after  is pressed.	<ul style="list-style-type: none"> <li>● Is the power plug disconnected? → Make sure the power plug is inserted into the power outlet and press .</li> </ul>
⑩ Even if it is full water in the tank, the water refill indicator is still lights on	<ul style="list-style-type: none"> <li>● Are the tray or tank installed properly? → Please install the tray and tank properly? (Page 12, 17, 18)</li> <li>● Are the floater installed properly? → Please install the floater properly? (Page 27)</li> </ul>

# TROUBLESHOOTING

Possible situation	Please confirm the following
⑪ Even if drainage is completed, the drain indicator still lights on	<ul style="list-style-type: none"> <li>● Check whether drainage is performed while the power plug is still inserted. → Remove the power plug before drainage.</li> <li>● In any other cases than the above, the electrode unit may be abnormal or may malfunction. → Please contact the dealer for repair.</li> </ul>
⑫ After drainage is completed, the drain indicator will light on within approximately 1 week or if the water refill indicator does not light on the 7th time	<ul style="list-style-type: none"> <li>● When the water in the tray is dirty, the indicator may light on. → Drain and clean the tray.</li> </ul>
⑬ The main unit is tilted or falls over.	<ol style="list-style-type: none"> <li>① Disconnect the power plug.</li> <li>② Erect the product. (Wipe the water off it)</li> <li>③ Leave the product idle for more than half a day. (If water enters the inside, let it dry completely.)</li> <li>④ After water supply/drainage has finished (Page 16), insert the power plug back to resume the operation.</li> </ol>
⑭ During operation, the product shuts down intermittently.	<ul style="list-style-type: none"> <li>● Check whether the HEPA composite filter and sterilization filter are not installed. → Please install the HEPA composite filter and sterilization filter.</li> </ul>
⑮ Clean sign remains blue even when the air is dirty.	<ul style="list-style-type: none"> <li>● Is the product placed in area where polluted air is difficult to be cleared? (Page 6)</li> <li>● Is the room size too large for the product?</li> </ul>

## List of error codes

- The digital display shows error codes.  
Check the error code, disconnect the power plug and do the following.

Error code	Cause	Action
U11	Foreign matter is adhered to the electrode unit.	Clear any foreign objects around the electrode unit. Reinsert the power plug.
	The water in the tray, the tray or the sterilization filter gets dirty.	Empty the tray and clean the tray and sterilization filter. (Page 16, 23, 24) Reconnect the power plug.
U12	The slider latch (electrode unit) is at the top position.	Lower the electrode unit. (Page 23, 25) Reinsert the power plug.
	The main unit is tilted or falls over.	Refer to "TROUBLESHOOTING" of page 31.
U14	The water in the tray is not clean.	Empty the tray and keeps the water clean. (Page 16, 23) Reinsert the power plug.
U16	Foreign objects float on the floater. The floater is not installed correctly.	Remove foreign objects around the floater. Install the floater correctly.
	The main unit is tilted or falls over.	Refer to "TROUBLESHOOTING" of page 31.

If the problem still persists after you have finished the above operations, please contact the dealer.

# TROUBLESHOOTING

## List of error codes

Error code	Cause	Action
F01	The main unit is faulty.	Please contact the dealer for repair.

Other error codes please contact the dealer for repair.

Other displayed messages

00	There are no salt tablets in the automatic salt tablet adding assembly. Please add salt tablets. (Page 12) If salt tablets are left, the salt tablets may block the automatic salt tablet adding assembly. Therefore, please maintain the automatic salt tablet adding assembly. (Page 22)
----	---

# SPECIFICATIONS

Model No.	F-JPW50H		
Power supply	220 V~ 50 Hz		
Operation mode	Turbo mode	Air volume (Hi)	Air volume (Lo)
Power consumption (W) <sup>※1</sup>	58	17	12
Noise [dB(A)] <sup>※2</sup>	54	41	31
Air volume	5.3 m <sup>3</sup> /min (318 m <sup>3</sup> /h)	2.5 m <sup>3</sup> /min (150 m <sup>3</sup> /h)	1.5 m <sup>3</sup> /min (90 m <sup>3</sup> /h)
Continuous operation time with full water (h) <sup>※3</sup>	6.0	11	18
Tank capacity (L)	About 2.1		
Power cord length (m)	2.0		
Product dimension (mm)	710 (H) x 398 (W) x 240 (L)		
Product weight (kg)	About 11.2		

※1The power consumption is about 0.9 W when the power plug is inserted into the power outlet and the operation is "Off". (8 W for cleaning operation)

※2The noise is A-weighted sound pressure level, measured in a total silencing laboratory environment.

※3The continuous operation time with full water is obtained in an environment where the room temperature is 20 °C and the relative humidity is 30%. The continuous operation time may differ depending on the room temperature and humidity.

## Call the dealer

Product is out of order. Please disconnect the power plug and contact the dealer for repair.

## Panasonic Corporation

Web site: <http://www.panasonic.com>

© Panasonic Corporation 2023

Issue date: 07/2023

P0723-0 JPW5H8950