

# Panasonic®

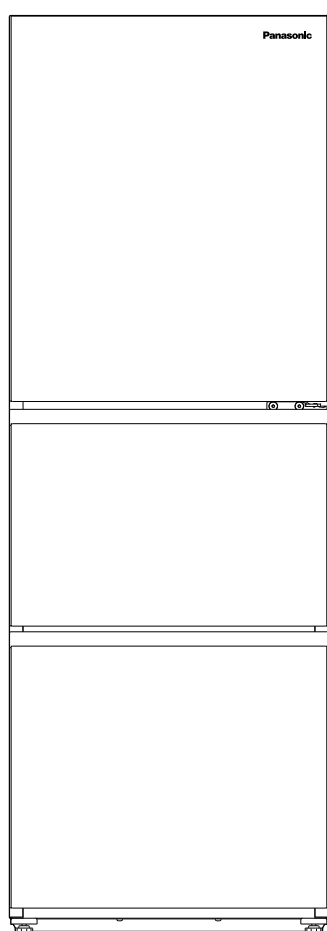
## Operating Instructions Refrigerator (Household use)

## 使用說明書 雪櫃 (家用)

English

中文

Model No. **NR-C290GH-W3**  
型號



### Contents

<b>Introduction</b>	<b>Safety instructions</b> .....	<b>2</b>
<b>Installation</b>	<b>Installation</b> .....	<b>5</b>
<b>Operation</b>	<b>Part Names</b> .....	<b>7</b>
	<b>How to Use</b> .....	<b>8</b>
<b>Appendix</b>	<b>Cleaning, removing and re-installing</b> .....	<b>12</b>
	<b>Troubleshooting</b> .....	<b>13</b>
	<b>In these cases?</b> .....	<b>14</b>
	<b>Specifications</b> .....	<b>15</b>

### 目錄

<b>簡介</b>	<b>安全須知</b> .....	<b>16</b>
<b>安裝</b>	<b>安裝</b> .....	<b>19</b>
<b>操作</b>	<b>各部分名稱</b> .....	<b>21</b>
	<b>如何操作</b> .....	<b>22</b>
<b>附錄</b>	<b>清洗、取出並重新安裝</b> .....	<b>26</b>
	<b>故障排除</b> .....	<b>27</b>
	<b>在這些情況下?</b> .....	<b>28</b>
	<b>規格</b> .....	<b>29</b>






**INVERTER**

Thank you for purchasing this Panasonic product.  
Please read these instructions carefully before using this product.  
Please keep this manual for future reference.

感謝您購買 Panasonic 的產品。  
在使用本產品前，請仔細閱讀本說明書。  
請妥善保存本手冊以備將來參考。

# Safety instructions

## What the symbols mean.

 Do not	 Make sure you do this	 Indicates the appliance must be earthed to prevent electric shock
 Do not take apart	 Warning; Risk of fire / flammable materials	



### Indicates risk of death or serious injury.



- **WARNING:** Do not use mechanical devices or other means to accelerate the defrosting process, other than those recommended by the manufacturer.
- **WARNING:** Do not damage the refrigerant circuit.  
(Otherwise, the flammable refrigerant may catch fire and lead to an explosion.)
- **WARNING:** Do not use electrical appliances inside the food storage compartments of the appliance, unless they are of the type recommended by the manufacturer.  
(If the refrigerant leaks, it may catch fire due to sparks on the contacts.)
- Do not store explosive substances such as aerosol cans with a flammable propellant in this appliance.
- **WARNING:** Do not locate multiple portable socket-outlets or portable power supplies at the rear of the appliance.



- This appliance is not intended for use by persons (including children) with reduced physical, sensory or mental capabilities, or lack of experience and knowledge, unless they have been given supervision or instruction concerning use of the appliance by a person responsible for their safety. Children should be supervised to ensure that they do not play with the appliance.
- If the power cord or plug of the appliance is damaged, it must be replaced by the manufacturer or its service agent or similarly qualified person in order to avoid a hazard.
- **WARNING:** Fill with potable water only.
- **WARNING:** Keep ventilation openings, in the appliance enclosure or in the built-in structure, clear of obstruction.
- **WARNING:** When positioning the appliance, ensure the supply cord is not trapped or damaged.

### For power plugs and cords...



- Do not use extension cords.
- Do not insert or disconnect the power plug into/from the wall socket with wet hands.
- Do not damage the power plug or cord. Do not cut or process the plug or cord; do not expose them to high temperatures; do not excessively bend, twist or pull them; do not place heavy objects onto them; and do not arrange them in bunches.  
→ Contact your dealer for repairing the plug or cord.
- Do not push the rear of the refrigerator against the power plug.
- Do not use while the cord or power plug is damaged, or while the plug is not fully inserted into the outlet.



- Periodically remove dirt such as dust from the power plug.
- Plug into a wall outlet of the rated voltage on its own with the rated current and insert plug fully.
- When disconnecting the power plug, hold the plug itself not the cord.
- Disconnect the plug when cleaning the refrigerator.
- If you do not intend to use the refrigerator for an extended period of time, disconnect it.  
(Otherwise, it may cause a fire or electrical shock.)

**Stop using the refrigerator immediately and pull out the plug, if there is an abnormality or failure.  
(Otherwise, it may cause smoke, a fire or electrical shock.)**



**Abnormality and failure examples**

- Power cord or plug is abnormally hot
- Power cord is deeply cut or deformed
- There is a burning smell
- You can feel tingly electricity

Contact your dealer immediately for inspection and repair.

**On top of the refrigerator...**

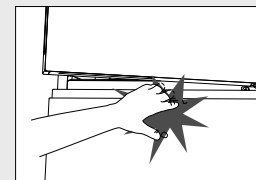


- Do not put anything.  
Otherwise, it may fall due to vibration and cause injury.

**When using...**



- Do not hang or ride on the door.
- Do not apply water on the body or interior.  
(Otherwise, electrical insulation deteriorates and may cause an electric shock or fire.)
- Do not hold the fitting part of the refrigerator door when closing it.  
Your hand or fingers may get caught.
- Do not store flammable items in the refrigerator.
- Do not store chemicals or scientific specimens.
- Do not spray combustible chemicals near the refrigerator.
- Do not add a high impact on glass doors.  
(Otherwise, glass may be broken and cause injury.)  
→ If you find a crack, do not touch the glass and consult your dealer immediately.



- Children should be supervised to ensure that the refrigerator should be used properly.

**When installing...**



- Do not install the product in locations exposed to water.
- Do not fill the gaps around the refrigerator.  
(If the refrigerant leaks, it may catch fire.)



- Provide safety measures against overturning caused by such as earthquakes.



- Ensure that the refrigerator is plugged into an earthed mains socket.  
Do not plug into an unearthed mains socket. (3-pin plug)

**When disposing and recycling the product...**



- When a concern exists for possible entry of a child during recycling, remove the door packing.
- Flammable gas is used for refrigerant.  
And Cyclo-Pentane is used for insulation of this refrigerator.  
When you throw away this product, please dispose it by proper method.
- The warning labels mentioned above should be kept throughout the life of the refrigerator.  
This manual should be handed over to any person who would use or handle the refrigerator whenever the refrigerator would be transferred to another location and delivered to a recycling plant.

# Safety instructions (Continued)

## In case of emergency...



- Absolutely do not open the cover of the board box and the back cover.
- Absolutely do not disassemble, repair or modify the refrigerator.  
(Otherwise, it may cause injury, burn, or electrical shock.)



- If you detect a gas (such as city gas) leak, do not touch the refrigerator and open the windows to ventilate the kitchen.
- A flammable refrigerant is used. If you have damaged the cooling circuit (piping), open the windows to ventilate the kitchen and contact your dealer.
- Maintenance work must only be carried out at workshop by well-trained maintenance worker.  
(Otherwise, it may cause an electrical shock, ignition or explosion.)



**Indicates risk of injury or damage to property.**

## When storing food...



- Do not add a high impact on glass trays.  
(Otherwise, the glass trays may be broken and you may be injured.)
- Do not allow foods to protrude from the glass shelf.
- Do not store food containers on the door shelves if they do not reach the bottom of the shelves.  
(Otherwise, food may fall and cause an injury.)
- Do not freeze bottles.  
(If the liquid in a glass bottle is frozen, the bottle may be broken and you may be injured.)
- Do not touch frozen food or containers (especially metal), with wet hands.  
(Otherwise, you may get frostbite.)
- Do not eat food that has an unusual odor or is discolored.  
(Rotten food may cause illness.)

## When opening/closing the doors...



- Do not open/close it if others come into contact with the refrigerator.
- Do not put your fingers in the gap on the side of the refrigerator compartment door when opening/closing the door.
- Do not place your feet under the bottom drawer.  
(Otherwise, your toes may get caught.)
- Do not open or close the door with excessive force.  
(Otherwise, food may fall and cause an injury.)



## When cleaning...



- Do not touch a metal rail directly.
- Do not place your hands or feet beneath the bottom of the refrigerator.  
(The edges of the metal panel may cause an injury.)



- Please be careful when you fit or remove a glass shelf.  
(Dropping glass shelves may cause shelf damage or an injury due to broken shelves.)

## When moving or transporting the refrigerator...



- Fix the refrigerator with adjustable legs on the flat and stout floor.  
(Otherwise, the refrigerator moves or overturns and may cause an injury.)
- Apply protective covering, etc. to floors with a fragile surface.
- When transporting the refrigerator, hold the carrying handles and move with at least 2 people.  
(Otherwise, your hands may slip and cause an injury.)

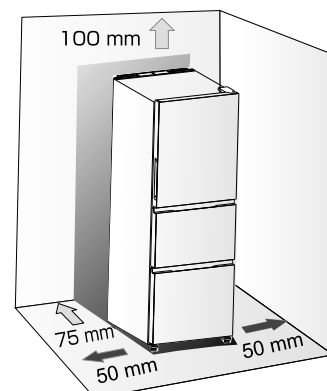


# Installation

## Choosing the right location

### 1. Place the refrigerator in the following locations.

- Locations free from heat and direct sunlight  
Minimize reduction of cooling power, and prevent electricity waste.
- Well-ventilated locations with low humidity  
Minimize rust and generation of condensation.
- Stout and flat floor  
With carpet, tatami mats or vinyl floors, deformation or discoloration may occur, so place a board underneath the refrigerator.
- Place the refrigerator away from other devices  
Prevent noise and jammed image display on TVs and other devices.
- Locations where allow the power plug to be cleaned easily.  
Clean dust regularly.  
(To prevent fire caused by dust.)
- Locations where allow a heat to dissipate.

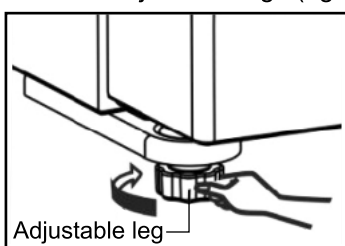


#### ■ Before using the refrigerator for the first time. (P. 12)

- Wipe the inside of the refrigerator with a wet, soft cloth.

### 2. Fix the refrigerator.

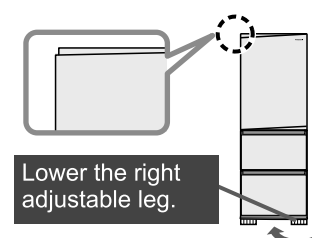
- If the refrigerator has not been stabilized completely, you may hear rapping noises when the door is opened/closed. (This will not affect the performance.)  
Install the refrigerator on a stout and flat floor.
- Turn the adjustable legs (right and left) until they reach the floor to stabilize the refrigerator.



#### ■ If the door is slanted downwards.

Turn the adjustable leg, as shown in the illustration on the right, in order to adjust the level.

- The freezer/refrigerator doors may be slanted within 4 to 5 days after installation due to the load of the food or adaptation to the floor surface. In this case turn the adjustable legs again to restore.



### 3. Plug into a wall outlet.

Plug into a wall outlet of the rated voltage on its own with the rated current and insert plug fully.

- The power plug can be plugged into an outlet immediately after installation.
- The surroundings and surfaces (side surfaces) of the refrigerator may become hot (approximately 50 °C to 60 °C when the ambient temperature is 30 °C) when the power is turned on, but this is not abnormal. (P. 13)
- If the power plug is removed, wait at least 7 minutes before plugging it back in. (P. 14)

### 4. Cool the refrigerator interior.

- It may take approximately 4 hours to cool the interior.
- It may take 24 hours or more to cool the interior and achieve equilibrium in the summer, etc.
- Do not open/close the doors until the interior has been cooled sufficiently.  
(Warm air flowing into the interior will block the cooling function.)

# Installation (Continued)

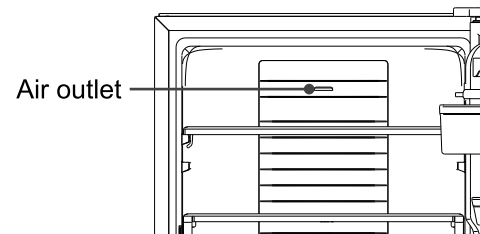
## Notices

- Immediately after the installation, the noise becomes larger a little because the interior of the refrigerator is not cooled yet and the compressor or the fan is operated with high-speed rotation, but it is not abnormal. (Once the interior of the refrigerator is cooled, the noise becomes smaller.)

- This appliance is intended to be used in household and similar applications such as
  - staff kitchen areas in shops, offices and other working environments;
  - farm houses and by clients in hotels, motels and other residential type environments;
  - bed and breakfast type environments;
  - catering and similar non-retail applications.

### ■ For saving energy

- Do not stuff food into the compartments.  
That may interfere with the cold air flow. Provide sufficient space between foods.
- Open the door only when necessary.  
Minimizing the number of times the door is opened/closed prevents cold air from escaping and reduces the amount of wasted electricity.
- Do not block the cold air outlet with food items.  
If cold air does not spread into every corner of compartments, then the interior will not be sufficiently cooled and more electricity will be consumed.
- The cold air discharges from the outlet of the duct at the back.
- Store warm food and drinks after they are cooled.  
Otherwise, they will not only raise the interior temperature, but also affect the freshness of other foods.



### ■ Disposing of the packaging

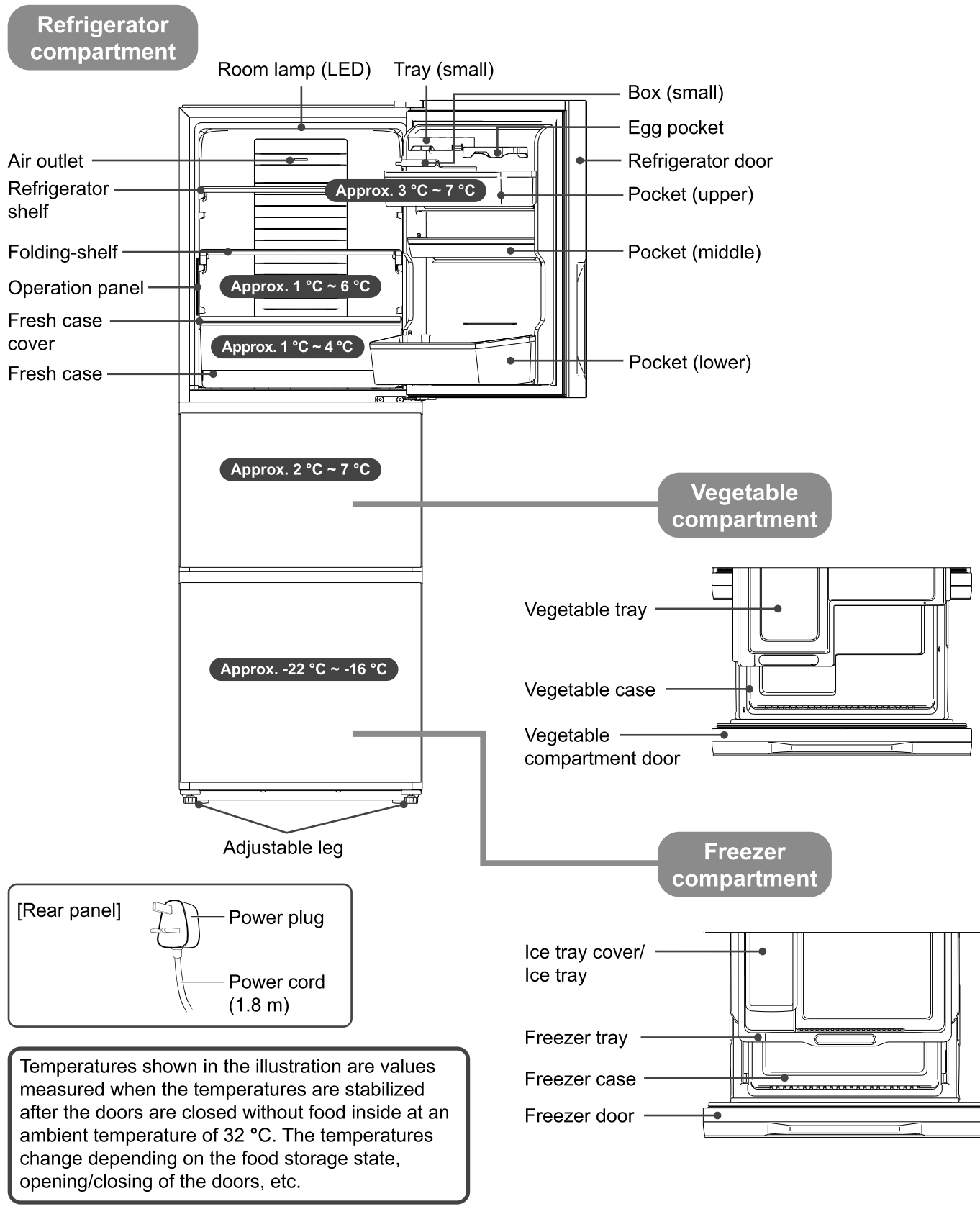


Please recycle where possible (e.g. cardboard, plastic bags, adhesive tape and polystyrene) and make sure you dispose of all other packing materials safely.

Keep the packaging out of reach of babies and young children to avoid injury or suffocation.

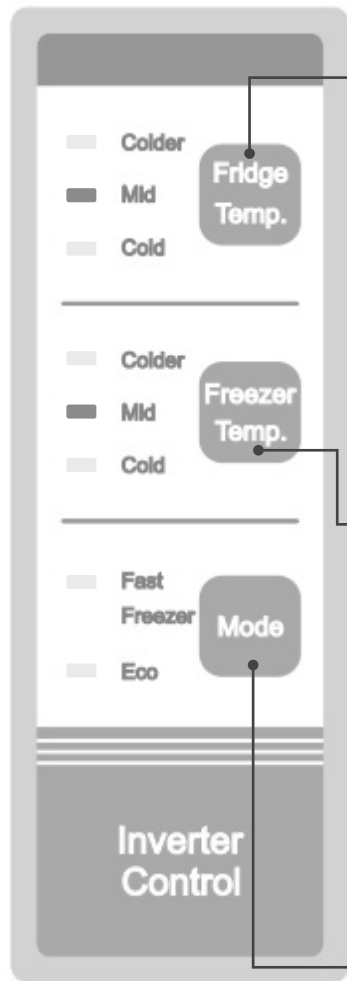
# Part Names

English



# How to Use

## Temperature control



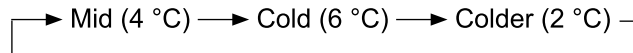
• Settings at time of purchase.

### [Operation panel]

- The operation panel allows you to set the temperatures of the refrigerator and freezer, and switch the cooling mode.
- **Note:** Temperatures to be set are average temperatures of the entire refrigerator compartment and the entire freezer compartment respectively.
- One minute after the refrigerator door is opened or the button is touched, the LED on the operation panel turns off.

### Refrigerator compartment temperature control

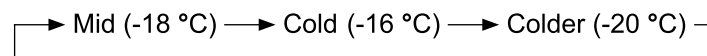
Press the [Fridge Temp.] button to control the temperature of the refrigerator compartment. Changes with each button press switches the set temperature in the following order.



- When using the refrigerator compartment in normal state, set the temperature control to “Mid”.
- To lower the temperature of the refrigerator compartment, set the temperature control to “Colder”.
- To raise the temperature of the refrigerator compartment, set the temperature control to “Cold”.

### Freezer compartment temperature control

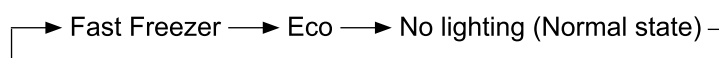
Press the [Freezer Temp.] button to control the temperature of the freezer compartment. Changes with each button press switches the set temperature in the following order.



- When using the freezer compartment in normal state, set the temperature control to “Mid”.
  - To lower the temperature of the freezer compartment (when there are many frozen foods in the freezer or ice is made), set the temperature control to “Colder”.
- The freezer temperature lowers, and a larger amount of power is consumed.

### Cooling mode

Press the [Mode] button to switch between Fast Freezer mode and Eco mode and normal state.



#### ■ Fast Freezer mode:

Using this mode rapidly lowers the temperature, enabling food to be frozen more quickly than usual. This will keep more vitamins and nutrients contained in fresh food, allowing the food to last longer. The Fast Freezer mode allows the product's specified maximum amount of food to be frozen. It is recommended to operate the product for six hours beforehand. The Fast Freezer mode is automatically turned off after 26 hours, and the temperature of the freezer returns to the original setting. When the Fast Freezer mode is turned on, touching the “Mode” button turns off the mode. When the power is turned off, the Fast Freezer function is turned off.

#### ■ Eco mode:

Press the “Mode” button to turn on or off the Eco mode. When the Eco mode is turned on, the “Eco” indicator lights up. The internal light LEDs of the refrigerator compartment and the freezer compartment are turned off. The temperatures of refrigerator and freezer are automatically set to 6 °C and -16 °C respectively. When the energy saving mode is turned off, the “Eco” indicator goes out, and the temperatures return to the original settings.

**Reference:** If cooling performance is not satisfactory (e.g., lukewarm beverage), turn off the Eco mode (normal state). The effect of the Eco mode varies depending on the usage environment.



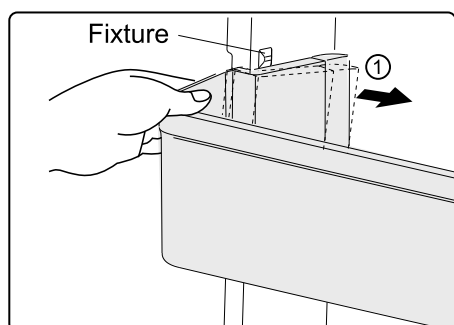
## Pockets

The pockets are suited for storing eggs, can beverages, bottle beverages, packed foods, etc.

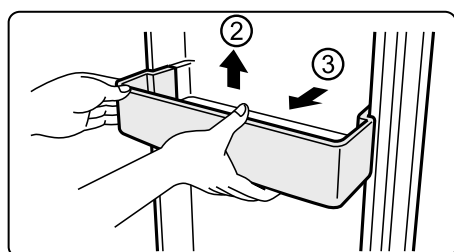
- The pockets can be removed when cleaning is necessary.



- Fixtures to fix the pockets are attached to the door. To remove any of the pockets, slightly push the side of the pocket first (①).



- Pull the pocket upward (②), and pull it toward you for removal (③). To return the packet to the original position, push it first, and pull it downward.



### Attention

- Do not place too many heavy things in the pocket.
- Before changing the location of the pocket, be sure to remove food and other items.

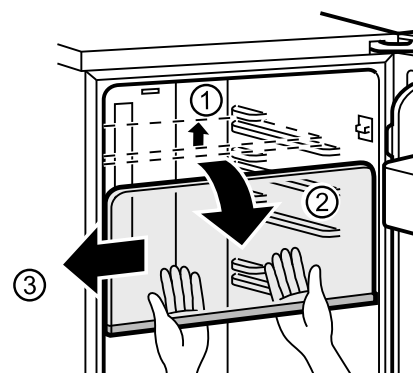
## Shelves in the refrigerator

Shelves provided in the refrigerator can be removed for cleaning.

- Sets of guides are provided on the inner walls of the refrigerator so that the shelf can be arranged at your preferred position. To remove the shelf, pull the front side of the shelf upward first (①), pull it downward (②), and move it leftward (③). Use the reverse procedure to return the shelf to the original position.

### Attention

- Before changing the location of the shelf, be sure to remove food and other items from the shelf.



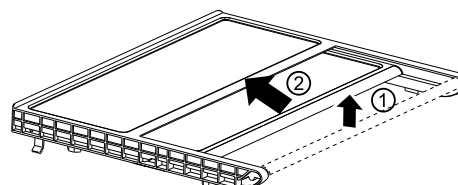
## Folding the shelf in the refrigerator

A folding-shelf is also provided in the refrigerator compartment. The shelf can be folded as necessary. Slightly raise the end of the front side first (①), and then push it to the inside as shown in the direction of the arrow (②).

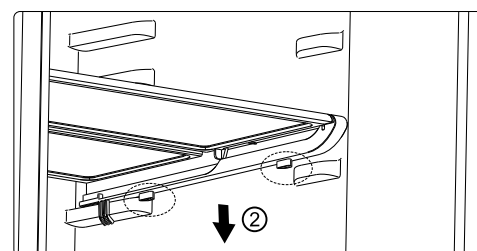
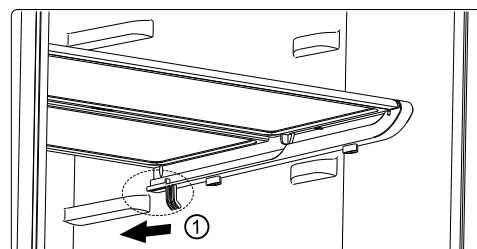
Use the reverse procedure to return the shelf to the original position.

### Attention

- Before changing the location of the shelf, be sure to remove food and other items from the shelf.



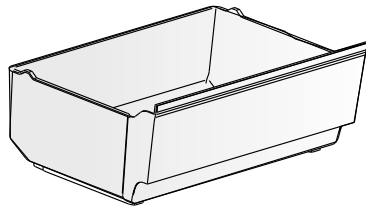
**Note:** All individual shelves have two claws and four legs on the bottom surface respectively. When fixing a shelf, pass the claws through the guides of the refrigerator (①), and place the shelf (②). Use the reverse procedure to remove it.



# How to Use (Continued)

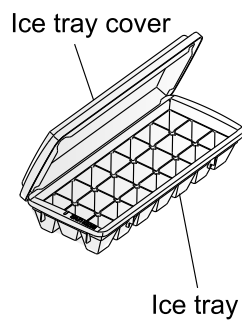
## Fresh case

This case is suitable for storing vegetables and fruits.



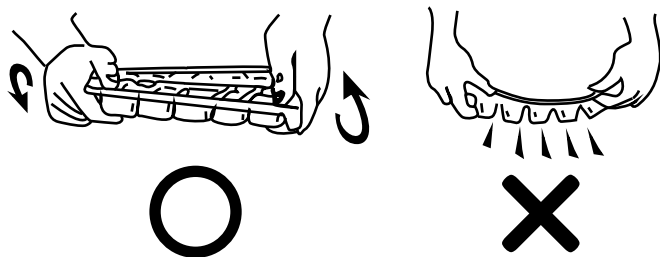
## Ice-making

This product is equipped with an ice tray.



### Attention

- Do not bend the ice tray as shown in the illustration to prevent the ice tray from getting broken.



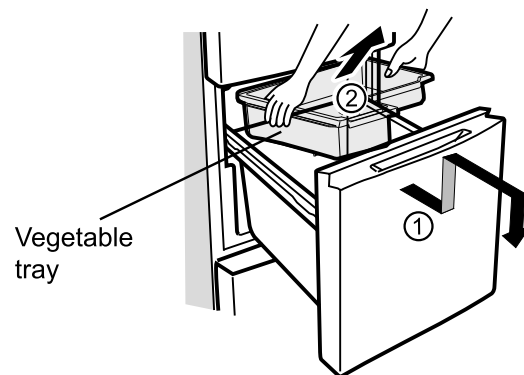
**Reference:** If the ice tray cover is used, it takes four hours to make ice. If not, it takes three hours. (at an ambient temperature of 25 °C in Fast Freezer mode)

## Vegetable tray

This tray is suitable for storing vegetables or beverages.

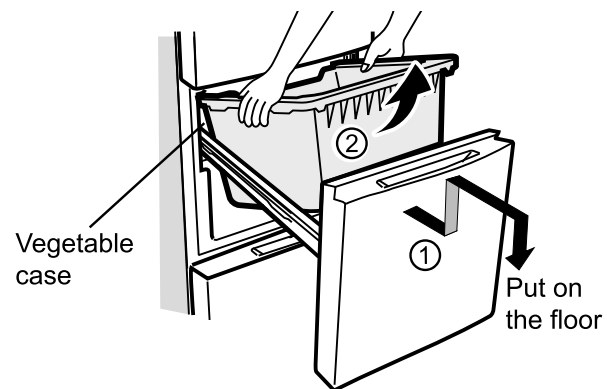
- When you need to take out the vegetable tray, pull the vegetable compartment door first and lift the door up a little and then pull (①), and tilt the vegetable tray upward to remove it (②).

Use the reverse procedure to return the tray to the original position.

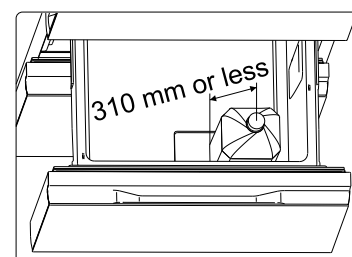


## Vegetable case

- At the method described above remove the vegetable tray according to the procedure.
- Pull the vegetable compartment door and lift the door up a little and then pull (①), and tilt the vegetable case upward to remove it (②). Use the reverse procedure to return the case to the original position.



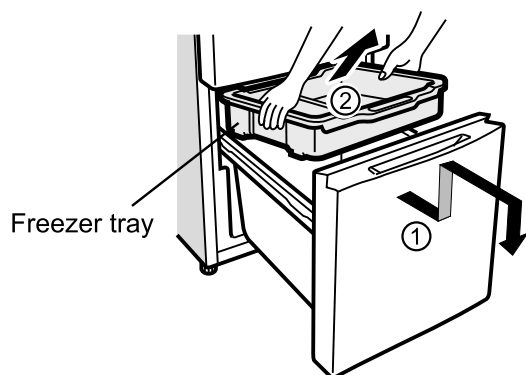
**Note:** Plastic bottle beverages can be cooled in the vegetable case, however, do not put a bottle higher than 310 mm.



## Freezer tray

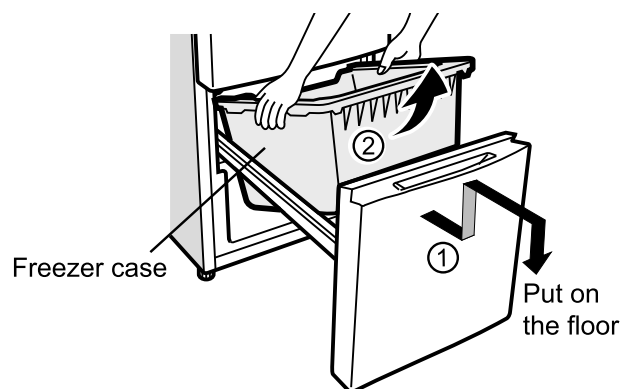
**This tray is suitable for storing frozen food.**

- When you need to take out the freezer tray, pull the freezer door first and lift the door up a little and then pull (①), and tilt the freezer tray upward to remove it (②).  
Use the reverse procedure to return the tray to the original position.



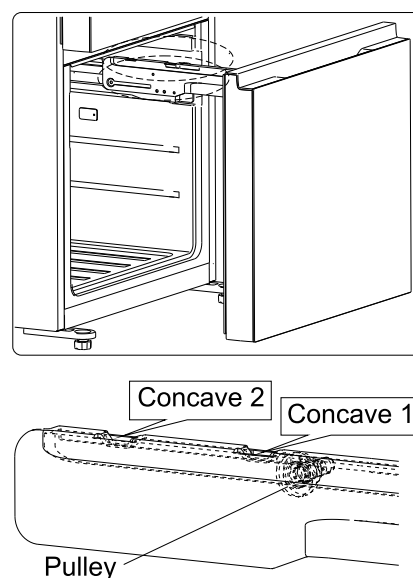
## Freezer case

- At the method described above remove the freezer tray according to the procedure.
- Pull the freezer door and tilt it downward (①), and tilt the freezer case upward to remove it (②).  
Use the reverse procedure to return the case to the original position.



## Attention

- The guide rails of the vegetable compartment door and the freezer door have two concaves respectively. Concave 1 prevents the door from dropping accidentally. The vegetable compartment door and the freezer door can be removed. Do not pull the doors to the position of concave 2 unless they are removed.



## Door alarm

The door alarm is activated if the refrigerator door or the freezer door is kept open for about 2 minutes, the door alarm rings 3 times, then the door alarm rings 3 times after every 1 minute, and stops after 10 minutes. The door alarm can be released by closing the door.

## Attention

- When using the refrigerator, do not keep the door open for a long time for energy-saving.

**Put the following foods into an airtight container or wrap with plastic wrap.**

- Green onions or other strong smelling vegetables.  
(→Odors will spread to other nearby food.)



- Cut citrus fruits.  
(→The plastic will be discolored white.)



**Three conditions of delicious Freezing.**

1. Fast Freezing food in thin and small portions!
2. Tightly wrap!
3. Do not refreeze!

# Cleaning, removing and re-installing

Before cleaning or conducting maintenance, be absolutely sure to disconnect the power plug from the wall outlet. Do not connect or disconnect the power plug with wet hands. Doing so may result in getting an electric shock or injury.

## Cleaning

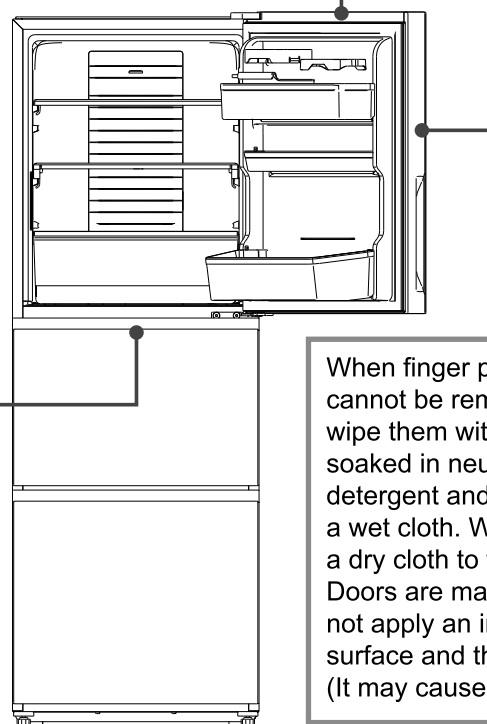
### Clean the refrigerator immediately after it is stained.

Wipe off easily removable dirt using a cloth soaked in lukewarm water.  
Wipe off stubborn dirt using a cloth soaked in diluted neutral detergent for kitchen.  
Then take up the remaining detergent using a cloth soaked in lukewarm water.

### Clean hidden areas at least once a year.

Remove dust accumulated on the wall outlet or the top surface and in gaps around the refrigerator.

For the door packing, wipe with a wet soft cloth, then wipe with a dry cloth to finish up.  
(Dirty packing gets damaged easily and it may cause leakage of cold air.)



Wipe immediately!  
If liquid trickles at the edge of the door or the periphery, quickly press a dry cloth and wipe it.

When finger prints and stains cannot be removed easily, wipe them with a cloth lightly soaked in neutral kitchen detergent and then wipe with a wet cloth. Wipe again with a dry cloth to finish up.  
Doors are made of glass. Do not apply an impact on the surface and the end surface. (It may cause cracks.)

**Clean the shelves, cases, and door pockets approx. every three months.**  
(Refer to P.9 to P.11 for removal and attachment)

### Attention

- Firmly wring the wet cloth. (If water enters gaps, it may lead to malfunction of electrical parts.)
- Do not use a dish washer/dryer for washing plastic parts. (It may cause deformation of the parts.)
- Do not use the following items for cleaning.



Kitchen detergents (other than neutral detergents), Glass detergents (chlorine bleach)  
(They crack plastic.)



Scrubber, Polishing sponger



Cleanser, Soap powder



Benzine, Thinner, Alcohol, Acid, Petroleum



Hot water

# Troubleshooting

Sound	<b>Rattling noise</b>	<ul style="list-style-type: none"> <li>● Place the refrigerator on a stout and flat floor, make both adjustable legs reach the floor and fixed the refrigerator. (P. 5)</li> <li>● Do the sides or the back side of refrigerator or the power cord touch the walls or furniture around the refrigerator? → Place the refrigerator so that it does not touch surrounding objects.</li> </ul>
	<b>Noise bothers me.</b>	<ul style="list-style-type: none"> <li>● The compressor or the fan may make loud noise when the refrigerator is being cooled, such as when the refrigerator is not still cooled soon after installation, the doors are frequently opened and closed, the temperature around the refrigerator is high or Fast Freezer mode is set ON. This is not abnormal. → When the refrigerator has been cooled, the noise becomes small.</li> </ul>
	<b>Rapping noise</b>	<ul style="list-style-type: none"> <li>● When the floor is uneven or the door is closed with a force, the refrigerator shakes and generates noise. → Place a plate under the refrigerator to prevent it from shaking. (P. 5)</li> </ul>
	<b>There is a noise all the time.</b>	<ul style="list-style-type: none"> <li>● It is because that the rotation speed of the compressor is adjusted with the inverter control. (Noise may not stop but it is not abnormal.)</li> </ul>
Body	<b>Front (or side) panel is hot.</b>	<ul style="list-style-type: none"> <li>● The left and right side surfaces may become hot to let out heat generated when the refrigeration system operates. The temperature may become 50 °C to 60 °C (when the ambient temperature is 30 °C) after installation or in the summer.</li> </ul>
	<b>The side surface looks warped.</b>	<ul style="list-style-type: none"> <li>● In the manufacturing process, the warpage or surface waviness may occur, but this is not abnormal.</li> </ul>
Door	<b>The door is heavy when opening it immediately after closing.</b>	<ul style="list-style-type: none"> <li>● Air taken into the interior is suddenly cooled. The inner pressure becomes lower than the external air momentarily. The doors seem to be pulled towards inside.</li> </ul>
	<b>Magnets do not stick to the doors.</b>	<ul style="list-style-type: none"> <li>● The doors are made of glass. Magnets do not stick.</li> </ul>
Smell	<b>The interior smells.</b>	<ul style="list-style-type: none"> <li>● Store strong smelling food in airtight containers.</li> <li>● Odor often attaches to the interior walls. → Wipe the walls with a soft cloth soaked in lukewarm water.</li> </ul>
Cooling	<b>Does not get cold at all.</b>	<ul style="list-style-type: none"> <li>● Make sure that there is no power failure, the power cord is connected to the outlet or the breaker is not operated.</li> </ul>
	<b>Does not get cold enough.</b>	<ul style="list-style-type: none"> <li>● When you use the refrigerator for the first time, it will take 4 to 24 hours or more (in the summer time, etc.) until the refrigerator begins to cool.</li> <li>● Change the temperature setting to the colder setting. (P. 8)</li> <li>● Make sure that foods are not blocking the cold air outlet. (P. 7)</li> <li>● Do not place the refrigerator where it is subjected to direct sunlight. (P. 5)</li> <li>● Secure sufficient spaces around the refrigerator. (P. 5)</li> <li>● It may take the refrigerator longer time to be cooled if food is stuffed too much.</li> </ul>
	<b>Frost and dew</b>	<ul style="list-style-type: none"> <li>● Do not keep the door open for a long time or open frequently when humidity is high.</li> <li>● When a store bought accessory such as a tube stand is caught in the door, remove it.</li> <li>● If food is fallen in the back from the case in the freezer compartment or the vegetable compartment, the door is not closed properly. Remove the food.</li> <li>● Frost or dew may be formed on the outer surface of the refrigerator when humidity is high. → Wipe with a piece of dry cloth.</li> </ul>
	<b>The food is frozen.</b>	<ul style="list-style-type: none"> <li>● Set the temperature setting to "Mid" (or "Cold"). (P. 8)</li> <li>● Is the ambient temperature 5 °C or below? → Set the temperature setting to "Cold". (P. 8)</li> <li>● Do not put food with high water content near the cold air outlet in the refrigerator (P. 7) or in the Fresh case.</li> </ul>

## In these cases?

<b>The power failed.</b>	<ul style="list-style-type: none"> <li>● Keep the doors closed and do not store additional food.</li> <li>● [Fast Freezer] stop. Set these functions again to use after power recovery. (P. 8)</li> </ul>
<b>The power plug was disconnected.</b>	<ul style="list-style-type: none"> <li>● Wait at least 7 minutes, and then plug in the power plug. (If it is plugged in immediately, the compressor will be overloaded, which may cause a malfunction.)</li> </ul>
<b>The refrigerator is not used for a long time.</b>	<ul style="list-style-type: none"> <li>● Remove all foods and drinks and clean the refrigerator.             <ol style="list-style-type: none"> <li>① Disconnect the power plug.</li> <li>② Clean the compartments and the ice tray. (P. 10)</li> <li>③ Keep the doors opened for 2 to 3 days to dry the compartments. (When drying is insufficient, the compartment may get moldy or have a foul smell.)</li> </ol> </li> </ul>
<b>The room lamp does not turn on.</b>	<p>→ Consult your dealer.</p>
<b>Glass was broken. (Glass trays • doors)</b>	<ul style="list-style-type: none"> <li>● When glass trays and glass doors were broken, do not touch the broken glass. → Contact your dealer immediately.</li> </ul>
<b>Moving the refrigerator.</b>	<ul style="list-style-type: none"> <li>● To prevent the floor surface from being damaged, place a protective board or the like.             <ol style="list-style-type: none"> <li>① Disconnect the power plug.</li> <li>② Move the refrigerator in the forward or backward direction.</li> <li>③ After moving, fix the refrigerator completely with adjustable legs.</li> </ol> </li> </ul>
<b>When you move or transport the refrigerator.</b>	<ul style="list-style-type: none"> <li>● Transport the refrigerator with at least 2 people. Do not transport it in a horizontal position. (It may cause an injury or break down of the refrigerator.)             <ol style="list-style-type: none"> <li>① Disconnect the power plug.</li> <li>② Remove the food and drinks.</li> <li>③ Raise the adjustable legs.</li> <li>④ Place a protective sheet or the like and move the refrigerator. (Since water may remain the inside.)</li> </ol> </li> </ul> <p style="text-align: center;"><b>Attention</b></p> <ul style="list-style-type: none"> <li>● If frost remains on the cooling unit (not visible from the outside) in the refrigerator, water may spill when it is moved. (It takes approximately 15 hours for the frost on the cooling unit to melt after the refrigerator power plug is disconnected.)</li> </ul>






# Specifications

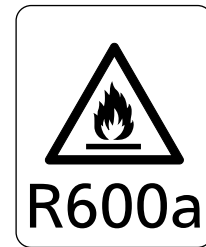
<b>MODEL</b>	NR-C290GH-W3
TOTAL GROSS VOLUME	313 L
TOTAL STORAGE VOLUME	241 L
STORAGE FRIDGE VOLUME	146 L
STORAGE FREEZER VOLUME	49 L
STORAGE VEGETABLE VOLUME	46 L
OUTSIDE DIMENSIONS WIDTH×DEPTH×HEIGHT	550 mm × 668 mm × 1591 mm
WEIGHT	69 kg / 152 lb
RATED VOLTAGE RATED FREQUENCY	220-240 V ~ 50 Hz

English

# 安全須知

## 安全標誌含義

 請勿	 請務必遵守	 表示該設備必須接地，以防觸電
 請勿拆開	 警告；可燃 / 易燃材料的風險	



表示有死亡或嚴重傷害的風險。



- 警告：除生產商推薦的設備外，否則不得使用機械設備或其他設備加速除霜過程。
- 警告：不得損壞製冷劑回路。  
(否則，可燃性製冷劑可能會著火並引起爆炸。)
- 警告：切勿在本設備的食品儲藏室內使用電器，除非該類電器是由製造商推薦的類型。  
(如果製冷劑洩漏，可能會因對接點火花而引起火災。)
- 切勿在本設備中儲存爆炸性物品，如備有易燃壓縮氣體的噴霧罐。
- 警告：不要在設備後部放置多個便攜式插座或便攜式電源。



- 除非有負責其安全的人員指導和監督，否則兒童、身體行動不便或缺乏經驗和常識的人不得使用該設備。不容許小孩以雪櫃做遊戲。
- 如果設備的電源線或插頭損壞，必須由製造商或其服務代理商或具有類似資格的人員進行更換，以避免發生危險。
- 警告：只裝飲用水。
- 警告：確保雪櫃外殼或內置結構的通風口無阻塞。
- 警告：安放設備時，請確保電源線沒有被卡住或損壞。

### 關於電源插頭和電線……



- 不要用延長電線。
- 不要用濕手插拔電源插頭。
- 不得損壞電源插頭或電線。不要切斷或處理插頭或電線；不得將插頭或電線暴露於高溫下；不得過分彎折、扭曲或拉扯插頭或電線；不得在插頭或電線上放置重物；不得將插頭或電線成束排列。  
→ 聯繫經銷商修理插座或電線。
- 不得將雪櫃後部對著電源插座。
- 禁止使用損壞的電線或電源插頭或沒有完全插入插座的插頭。



- 定期清理電源插頭上的污垢，如灰塵。
- 將電源插頭插入自身帶額定電壓和額定電流的牆上插座中，並完全插入。
- 斷開電源插頭時，請握住插頭本身，不要握住電源線。
- 清潔雪櫃前，請拔下插頭。
- 當雪櫃長時間不用，請拔下電源插頭。  
(否則，會引起火災或觸電。)



如果出現異常或故障，應立即停止使用雪櫃並拔出插頭。  
(否則，可能會引起煙霧、火災或觸電。)



- 異常和故障舉例
- 電源線或插座異常熱
  - 電源線有深的切口或明顯變形
  - 有燒焦氣味
  - 你可以強烈地感覺到電流
- 立即聯繫經銷商進行檢查和修理。

#### 雪櫃頂部……

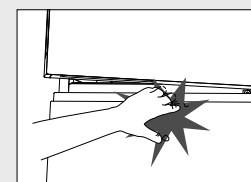


- 不得放置任何東西。
- 否則，可能會因為振動而掉落並造成人身傷害。

#### 使用……



- 不得吊在或依靠在門上。
  - 雪櫃外殼或內部不得用水。  
(否則，電絕緣劣化並可能引起觸電或火災。)
  - 關上冷藏室門時，切勿將按壓接合處。  
否則，可能會夾住你的手或手指。
  - 不得在雪櫃中儲存可燃物品。
  - 不得儲存化學物品或科學標本。
  - 在雪櫃附近，切勿使用易燃化學物品。
  - 不得對玻璃門施加高衝擊力。  
(否則，玻璃可能會破裂並造成傷害。)
- 如發現玻璃上出現裂縫，不要觸摸玻璃，請立即諮詢經銷商。



- 應照看好兒童以確保雪櫃正確使用。

#### 安裝……



- 不得將雪櫃安裝在碰到水的位置。
- 不得在雪櫃周圍空隙填塞其他物品。  
(如製冷劑洩漏，可能會引起火災。)



- 提供防止因地震等原因導致的翻倒的安全措施。



- 確保雪櫃插頭接入接地電源插座。  
不得插入未接地電源插座。(3 腳插頭)

#### 雪櫃的處置和回收……



- 當回收雪櫃時，拆下雪櫃門封，以防有小童擅自藏身櫃內，發生意外。
- 可燃氣體用於製冷劑。  
以及環戊烷用於雪櫃保溫。  
廢棄雪櫃時，請以妥善的方法加以丟棄。
- 在雪櫃的整個使用壽命期間，需保持上述警告標誌完好無損。  
在將雪櫃運輸至另一地點以或交付給回收廠時，這些使用說明書應移交至會使用或處理雪櫃的人。

## 安全須知 ( 持續 )

### 緊急情況……



- 請勿打開板箱蓋和後蓋。
- 請勿拆卸、修理或改裝雪櫃。  
(否則, 會造成人身傷害、燒傷或觸電。)



- 如果發現氣體(如城市煤氣)洩漏, 請勿碰觸雪櫃, 並打開窗戶使廚房通風。
- 該雪櫃的製冷劑為易燃。如果冷卻回路(管道)損壞, 請打開窗戶使廚房通風並與經銷商聯繫。
- 維修工作必須由受過良好培訓的維修專業人員在車間進行維修。  
(否則, 可能會引起電擊、著火或爆炸。)



注意

表示有人身傷害或財產損失風險。

### 儲存食物……



- 不得對玻璃置物架施加高衝擊力。  
(否則, 玻璃置物架可能會損壞, 你可能會受傷。)
- 不得使食物從玻璃擱架中突出出來。
- 如果食品容器不能達到擱架底部, 請勿將其放在門架上。  
(否則, 食物可能會掉落並造成人身傷害。)
- 不得冷凍瓶子。  
(如果玻璃瓶中的液體凍結, 瓶子可能會破損, 你可能會受傷。)
- 切勿用濕手觸摸冰凍的食品或容器(特別是金屬容器)。  
(否則, 你可能會凍傷手。)
- 切勿吃已變質或變色的食物。  
(腐爛食物可能會引發疾病。)

### 開 / 關雪櫃門……



- 當其他人在接觸到雪櫃時不得開 / 關雪櫃門。
- 開 / 關門時, 切勿將手指放在冷藏室縫處。
- 切勿將腳放在底層抽屜下。  
(否則, 可能會夾住你的腳趾。)
- 切勿過度用力開 / 關雪櫃門。  
(否則, 食物可能會掉落並造成人身傷害。)



### 清潔……



- 切勿直接觸碰金屬軌。
- 請勿將手或腳放入雪櫃底部下方。  
(金屬板邊緣可能會造成人身傷害。)



- 安裝或取下玻璃擱架時, 請小心。  
(掉落的玻璃擱架可能會導致玻璃擱架損壞或由於玻璃擱架損壞而導致人身傷害。)

### 移動或搬運雪櫃……



- 將配有可調校的雪櫃腳的雪櫃安裝在平坦堅實的地板上。  
(否則, 雪櫃可能會移動或傾倒, 造成人身傷害。)
- 為脆弱的地板表面鋪上防護層等。
- 當運送雪櫃時, 請使用把手並由至少兩位工作人員搬運。  
(否則, 你的手可能會打滑並導致受傷。)

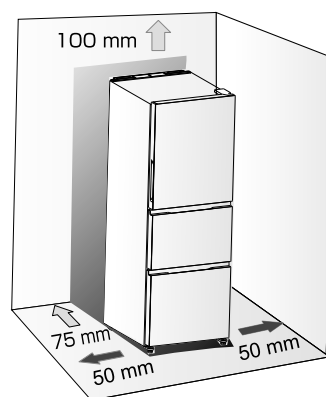


# 安裝

## 選擇正確的位置

### 1. 雪櫃放置環境。

- 遠離熱源並避免陽光直射以盡可能減少製冷能力並防止電力浪費。
- 濕度較低的良好通風位置以免生鏽或冷凝。
- 堅實平坦的地板  
當放置於鋪有地毯、榻榻米墊子或乙烯基地板上時，請在雪櫃下面鋪墊結實的墊板以防止地毯變形或變色。
- 將雪櫃遠離其他設備放置以防止噪音干擾和不正確的圖像顯示在電視和其他設備上。
- 放置於便於清潔電源插座的地方。  
定期清潔灰塵。  
(以免引起火災。)
- 散熱良好的位置



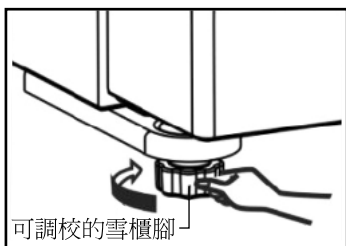
中文

#### ■ 首次使用雪櫃前。(第 26 頁)

- 請使用濕的軟布擦拭雪櫃內部。

### 2. 雪櫃安裝。

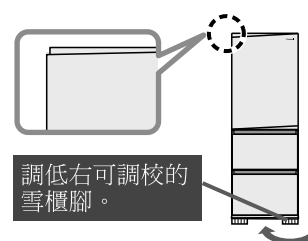
- 如果雪櫃安放不平穩，開 / 關雪櫃門時會出現敲擊聲。(這會影響雪櫃的工作性能。)  
將雪櫃安裝在堅實平坦的地板上。
- 旋轉可調校的雪櫃腳(右和左)，使雪櫃保持平穩。



#### ■ 雪櫃門向下傾斜。

旋轉可調校的雪櫃腳以調整平穩，如右圖所示。

- 在安裝後 4 到 5 天內急凍室 / 冷藏室門可能由於裝入食物或適應地面而傾斜。在這種情況下，重新調整可調校的雪櫃腳以調節平穩。



### 3. 插頭插入壁裝電源插座。

將插頭插入與其相配的額定電壓和電流的壁裝電源插座。

- 安裝後電源插頭可以立即插入插座。
- 當接通電源時，雪櫃周圍及表面(側面)可能會非常熱(當環境溫度為 30 °C，其溫度約 50 °C 至 60 °C)，這是正常現象。(第 27 頁)
- 拔掉電源插頭後，至少保持間隔 7 分鐘。才能再次插電。(第 28 頁)

### 4. 雪櫃內部冷卻。

- 內部冷卻大約需要 4 個小時。
- 夏天雪櫃內部均勻冷卻需要 24 個小時或更長時間。
- 雪櫃內部完全冷卻前，切勿開 / 關雪櫃門。  
(暖空氣流會進入內部阻礙冷卻功能。)

## 安裝（持續）

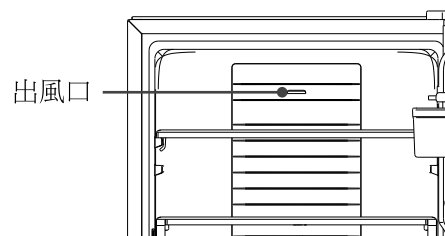
### 備註

- 在安裝後，噪音變大，這是因為雪櫃內部還沒有降溫，壓縮器或風機以高速旋轉運行，但是這種現象是正常的。（雪櫃內部冷卻後，噪音會變小。）

- 該產品主要適用於家用電器及其相關應用，例如
  - 商店、辦公室和其他工作環境的員工食堂；
  - 農舍和住有旅客的酒店、旅館以及其他居住環境；
  - 放置床和吃早餐的環境；
  - 餐飲和相關非零售應用。

### ■ 為了節約能源

- 不要把食物塞滿夾層裡。否則可能阻礙冷氣進入。食物之間要保持足夠的空隙。
- 僅在需要的時候才打開門。降低門開 / 關的次數阻止冷氣溢出並且降低耗電量。
- 不要讓食品阻塞冷氣出口。如果冷氣不能擴散到夾層的各個角落，內部就不能達到冷藏效果而且會消耗更多的電量。
- 冷氣從後面的排放管中排放出去。
- 熱的食品放入冷藏室前必須先冷卻至室溫。否則，它們不僅會提高內部的溫度，而且會影響其他食品的保鮮。

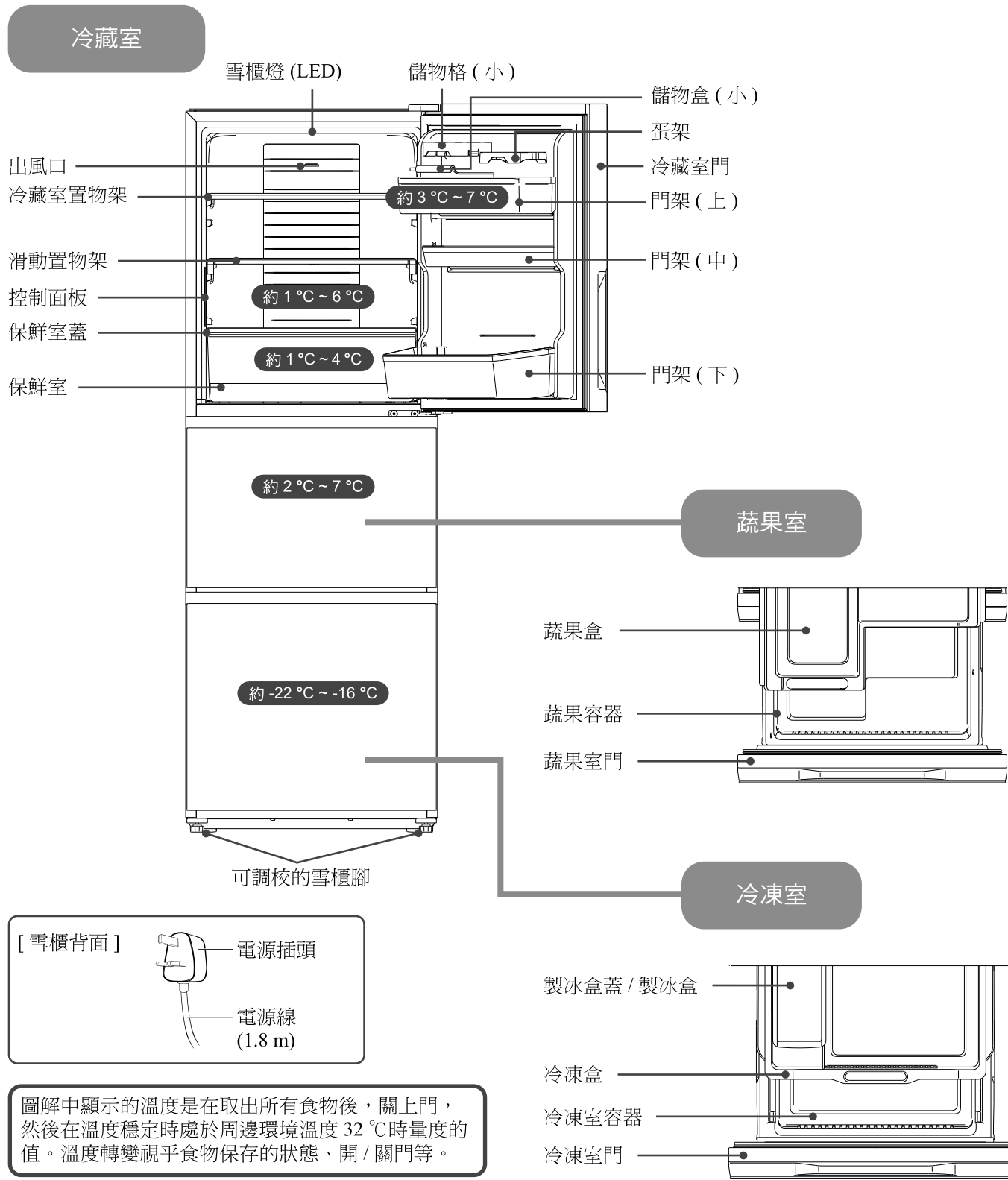


### ■ 處理包裝袋



請盡可能回收可再利用的物料（例如紙板、塑膠袋、膠帶和泡沫）並且確保你穩妥地處理了其他包裝材料。  
包裝袋應該放置在兒童不能觸及的位置避免兒童受到傷害或導致窒息。

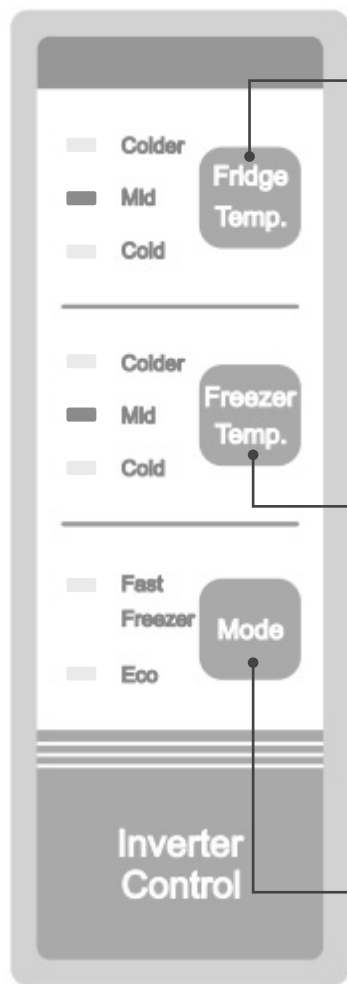
# 各部分名稱



中文

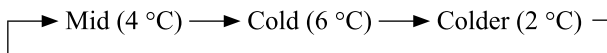
# 如何操作

## 溫度調整



### 冷藏室的溫度調整

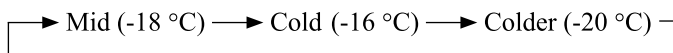
按一下 [Fridge Temp.] 鍵即可調整冷藏室的溫度。每次更改按鍵會按以下次序切換設定的溫度。



- 在通常狀態下使用冷藏室時，將溫度調整設至「Mid」。
- 若要調低冷藏室的溫度，將溫度調整設至「Colder」。
- 若要調高冷藏室的溫度，將溫度調整設至「Cold」。

### 冷凍室的溫度調整

按一下 [Freezer Temp.] 鍵即可調整冷凍室的溫度。每次更改按鍵會按以下次序切換設定的溫度。



- 在通常狀態下使用冷凍室時，將溫度調整設至「Mid」。
- 若要調低冷凍室的溫度（當冷凍室有太多冷凍食物或冰時），將溫度調整至「Colder」。冷凍室溫度下降，將耗電更大。

### 冷卻模式

按一下 [Mode] 鍵即可在急凍模式和節能模式和通常狀態之間切換。



• 購買時的設定。

### [控制面板]

- 控制面板讓你設定冷藏室和冷凍室的溫度，並可切換冷卻模式。
- **注意事項：**要設定的溫度分別是整個冷藏室和整個冷凍室的平均溫度。
- 冷藏室門打開 1 分鐘後，或是按鍵觸碰 1 分鐘後，控制面板上的 LED 燈熄滅。

#### ■ 急凍模式：

使用此模式可迅速調低溫度，讓食物比平常更快冷凍。這樣可將新鮮食物保留更多維他命和營養，使食物保持更久。急凍模式可冷凍產品特定的食物上限。建議操作產品六小時才使用。急凍模式將在 26 小時後自動關掉，而冷凍室的溫度則調整到原始值。當急凍模式已開啟時，觸碰「Mode」鍵即可關閉模式。當關掉電源後，急凍功能也關閉。

#### ■ 節能模式：

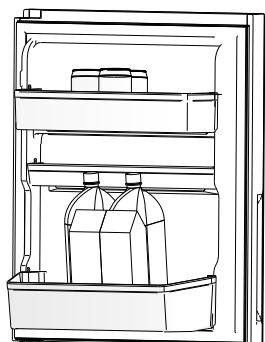
按一下「Mode」鍵即可開關節能模式。當節能模式開啟後，「Eco」指示燈會亮起。冷藏室和冷凍室內的 LED 燈會關掉。冷藏室和冷凍室的溫度分別自動設定為 6 °C 和 -16 °C。當節能模式關閉後，「Eco」指示燈熄掉，溫度回到原始值。

**參考事項：**如冷卻性能不佳（例如：微溫飲料），關關節能模式（通常狀態）。節能模式的效果是按照環境的使用而獲得。

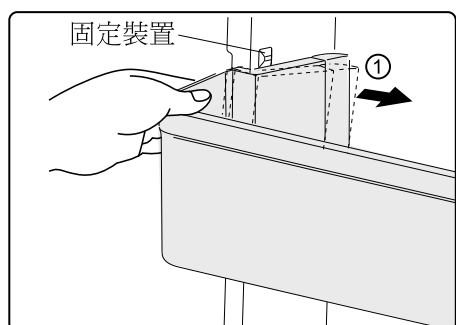
## 門架

門架適用於保存雞蛋、罐裝飲料、瓶裝飲料、包裝食物等。

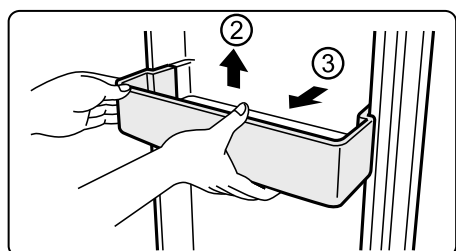
- 如需要清潔，可拆下門架。



- 固定門架的扣是安裝到門上。若要拆下任何門架，先輕輕推一下門架側 (①)。



- 將門架向上拉 (②)，然後向自己方向拉出即可拆下 (③)。若要將門架放回原位，先推一下，然後向下拉。



### 注意事項

- 切勿放置太多重型物品到門架中。
- 移動門架的位置前，請確保取出食物和其它物品。

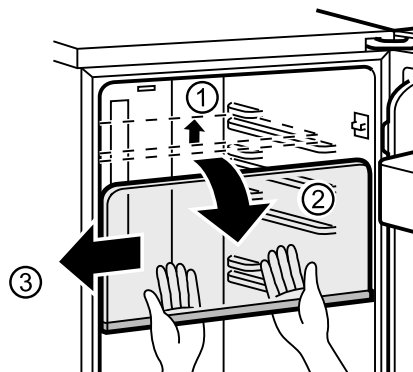
## 冷藏室置物架

冷藏室內的置物架可以拆下以進行清潔。

- 冷藏室的內壁配備一組滑道，讓你可以將置物架擺放你所選的位置。若要拆下置物架，先將置物架前面向上拉 (①)，然後向下拉 (②)，再向左移動 (③)。執行逆向程序即可將置物架放回原處。

### 注意事項

- 移動置物架的位置前，請確保取出食物和其它物品。

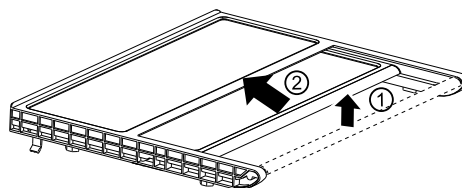


## 將冷藏室內的置物架摺疊

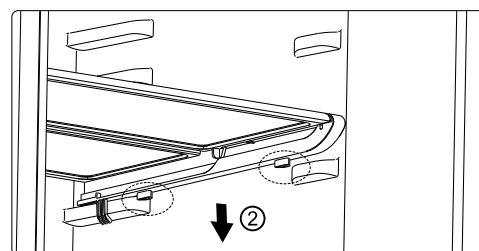
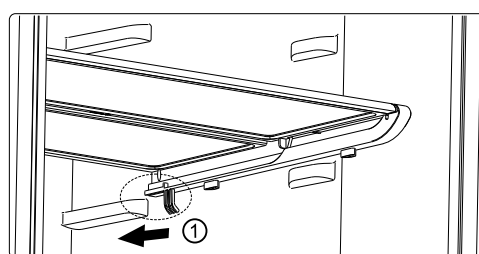
冷藏室內也配備滑動置物架。有需要可以將滑動置物架摺疊。先輕輕提升前面的尾部 (①)，然後按圖解顯示的箭頭方向將它推進內部 (②)。執行逆向程序即可將置物架放回原處。

### 注意事項

- 移動置物架的位置前，請確保取出食物和其它物品。



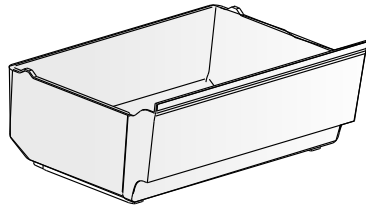
注意事項：所有置物架的底部上分別都有兩個卡爪和四個腳。當固定置物架時，將卡爪穿過冷藏室的滑道 (①)，然後將置物架放上 (②)。執行逆向程序即可拆下。



## 如何操作 (持續)

### 保鮮室

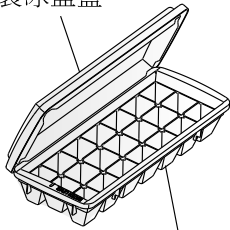
保鮮室適用於保存蔬菜和水果。



### 製冰

此產品配備一個製冰盒。

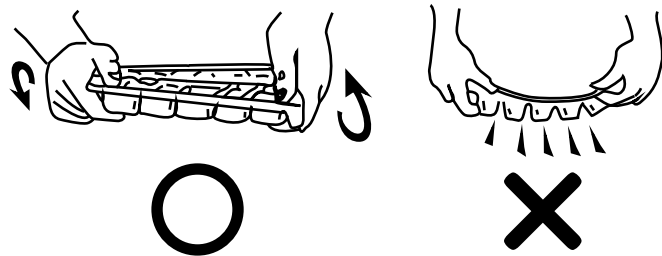
製冰盒蓋



製冰盒

#### 注意事項

- 為防止損壞製冰盒，切勿扭曲圖解中顯示的製冰盒。



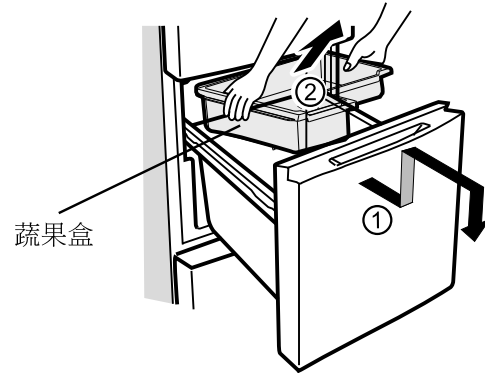
參考事項：如要使用製冰盒蓋，製冰需要四小時。否則，三小時即可。(在急凍模式下周邊環境溫度 25 °C)

### 蔬果盒

蔬果盒適用於保存蔬菜和飲料。

- 當你取出蔬果盒時，先將蔬果室門拉一下，然後將門輕輕提升，再拉一下 (①)，然後將蔬果盒向上傾斜即可取出 (②)。

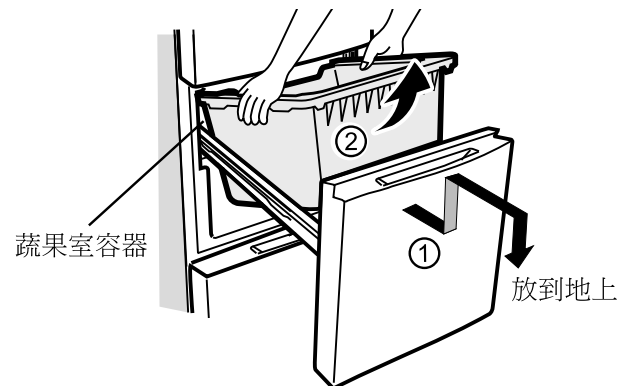
執行逆向程序即可將蔬果盒放回原處。



### 蔬果室容器

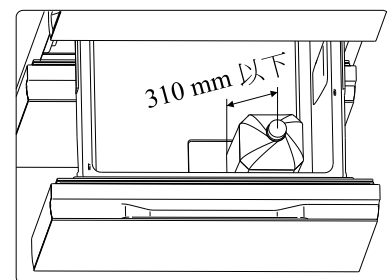
- 依照上述的方法，按照程序取出蔬果盒。
- 將蔬果室門拉出，然後將門輕輕提升，再拉一下 (①)，然後將蔬果室容器向上傾斜即可取出 (②)。

執行逆向程序即可將蔬果室容器放回原處。



#### 注意事項：

塑膠瓶飲料可以放進蔬果室容器冷卻，但切勿放置高於 310 mm 的塑膠瓶。



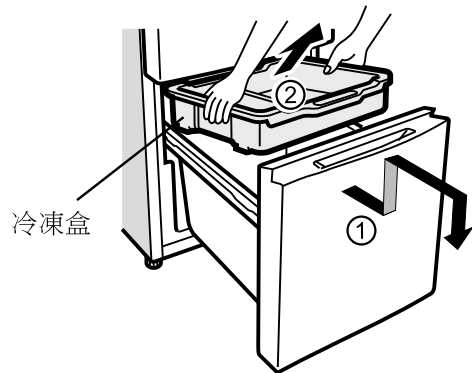


## 冷凍盒

冷凍盒適用於保存冷凍食物。

- 當你需要取出冷凍盒時，先將冷凍室門拉出，然後將門輕輕提升，再拉一下(①)，然後將冷凍盒向上傾斜即可取出(②)。

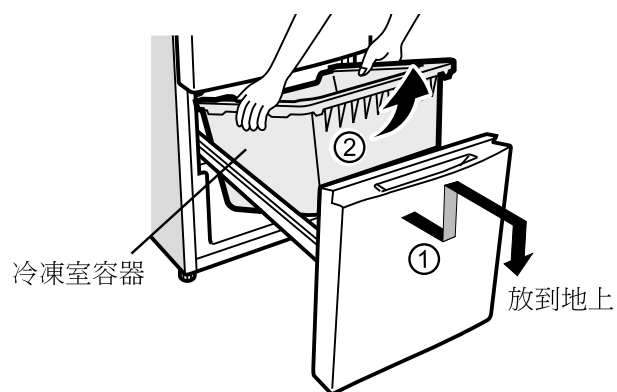
執行逆向程序即可將冷凍盒放回原處。



## 冷凍室容器

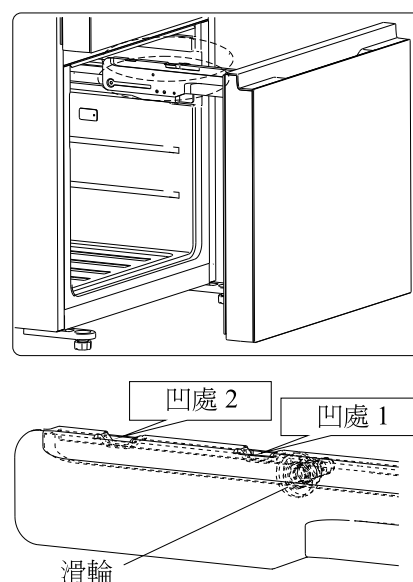
- 依照上述的方法，按照程序取出冷凍盒。
- 拉出冷凍室門並向下傾斜(①)，然後將冷凍室容器向上傾斜即可取出(②)。

執行逆向程序即可將冷凍室容器放回原處。



### 注意事項

- 蔬果室門和冷凍室門的軌道分別有兩個凹處。凹處 1 防止門意外掉下。蔬果室門和冷凍室門可以取出。切勿在取出之前將門拉到凹處 2。



### 門警鐘

如冷藏室門或冷凍室門打開約 2 分鐘，門警鐘會啟動，門警鐘響起 3 次，然後每 1 分鐘響起 3 次，最後在 10 分鐘後停止。關門後門警鐘會解除。

### 注意事項

- 當使用雪櫃時，為了節約能源，切勿將門打開太久。

將以下食物放入密封的容器中或用保鮮紙包裝。

- 大蔥或其他強烈氣味的蔬菜。  
(→ 異味會竄到其他附近的食物上。)



- 鮮切柑橘類水果。  
(→ 塑膠會變白。)



三個美味冷凍條件。

1. 薄片和細件的急凍食物！
2. 緊緊包裹食物！
3. 切勿再冷凍！

# 清洗、取出並重新安裝

清理或維護前，務必將電源插頭從插座中拔出。  
切勿用濕手插拔電源插頭。否則，可能引起觸電或受傷。

## 清理

請及時清潔骯髒雪櫃。

用一塊布蘸點溫水可以很容易地清除污漬。  
使用浸泡在稀釋的廚房中性洗滌劑中的布擦去頑固污漬。  
然後再用蘸有溫水的布清洗殘留洗滌劑。

至少每年清潔一次隱藏區域。

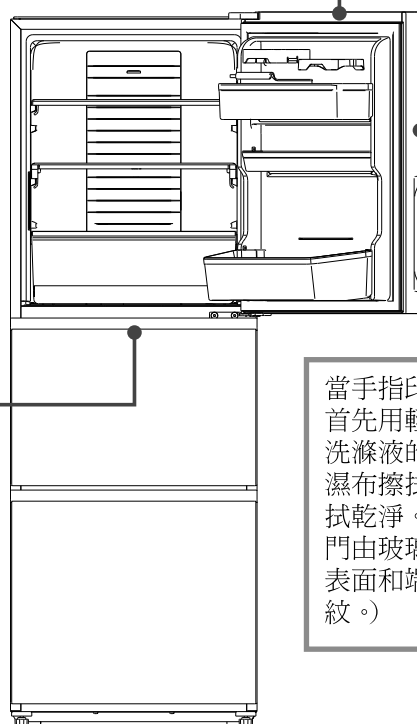
清除積聚在牆壁插座上或在雪櫃頂和雪櫃周圍縫隙中的灰塵。

對於雪櫃門封清潔，首先使用一塊濕布擦拭，然後再用一塊乾布擦拭。  
(骯髒的門封很容易損壞並且可能會導致冷空氣洩露。)

立即擦洗！

如果有液體滴到雪櫃門邊緣或周圍，請立刻用乾布稍微用力將其擦去。

當手指印和汗跡不易清除時，首先用輕輕浸泡過廚房中性洗滌液的布擦拭，然後再用濕布擦拭。最後再用乾布擦拭乾淨。  
門由玻璃製成。不要撞擊其表面和端面。(可能會導致裂紋。)



大約每三個月清潔置物架、盒子和門架。  
(請參考第 23 頁至第 25 頁查閱有關拆除和安裝事項)

### 注意事項

- 使勁擰乾濕布。(如果水進入縫隙，可能會導致電氣部件故障。)
- 不要使用洗碗機 / 烘乾機來清洗塑料部件。(可能會導致部件變形。)
- 請勿使用以下物品清潔。



鹼性或弱鹼性

廚房洗滌劑 (中性洗滌劑除外)、  
玻璃洗滌劑 (含氯漂白劑)  
(它們會破解塑膠。)



清洗器、  
拋光海綿



清潔劑、  
肥皂粉



汽油、稀釋劑、  
酒精、酸和石油



熱水

## 故障排除

聲音	卡嗒聲	<ul style="list-style-type: none"> <li>● 將雪櫃放置在堅實平坦的地板上，使兩個可調校的雪櫃腳接觸地板，並固定雪櫃。(第 19 頁)</li> <li>● 雪櫃側面或背面，或者電源線是否碰到牆壁或雪櫃周圍的家具？ → 放置雪櫃，使其不碰到周圍的物品。</li> </ul>
	噪音困擾。	<ul style="list-style-type: none"> <li>● 當雪櫃進行冷卻時，壓縮器或風機可能發出大的噪音，比如雪櫃剛安裝，還沒有冷卻過；頻繁開關雪櫃門；雪櫃周圍的溫度過高或急凍模式設置為開啟狀態。這是正常現象。 → 雪櫃冷卻後，噪音變小。</li> </ul>
	敲擊聲	<ul style="list-style-type: none"> <li>● 當地板不平或使勁關門時，雪櫃顫動並產生噪音。 → 在雪櫃下方放置一塊板以防止其顫動。(第 19 頁)</li> </ul>
	噪音持續。	<ul style="list-style-type: none"> <li>● 這是由於壓縮機轉速透過變頻器控制來調校。 (噪音可能不會停止，但這不是異常現象。)</li> </ul>
雪櫃主體	上部（或側）墊板發熱。	<ul style="list-style-type: none"> <li>● 製冷系統運行時左右墊板表面可能會發熱釋放產生的熱量。安裝後或夏天，溫度可能變為 50 °C 至 60 °C（當環境溫度為 30 °C）。</li> </ul>
	側面看起來彎曲。	<ul style="list-style-type: none"> <li>● 在製造過程中，可能會出現彎曲或表面波度，但這不是異常現象。</li> </ul>
門	關閉後立即打開，門很重。	<ul style="list-style-type: none"> <li>● 進入雪櫃內的空氣急劇冷卻。內部壓力瞬間低於外部氣壓。門似乎朝裡面拉。</li> </ul>
	磁鐵不會粘到門上。	<ul style="list-style-type: none"> <li>● 門是玻璃的。磁鐵不沾。</li> </ul>
氣味	雪櫃室內有氣味。	<ul style="list-style-type: none"> <li>● 將氣味強烈的食物儲存在密封容器中。</li> <li>● 異味通常附著在內壁。 → 使用浸泡在溫水中的軟布擦拭冰箱壁。</li> </ul>
冷卻	根本不變冷。	<ul style="list-style-type: none"> <li>● 確保沒有斷電，電源線連接到插座或斷路器沒有斷路。</li> </ul>
	不足夠冷。	<ul style="list-style-type: none"> <li>● 當首次使用雪櫃時，雪櫃需要用 4 至 24 小時或更長的時間（夏季等）才開始製冷。</li> <li>● 將溫度設置更改為更低溫的設置。(第 22 頁)</li> <li>● 確保食物沒有堵住冷風出口。(第 21 頁)</li> <li>● 不要將雪櫃放置在陽光直射的地方。(第 19 頁)</li> <li>● 確保雪櫃周圍有足夠的空間。(第 19 頁)</li> <li>● 如果食物塞得過多，雪櫃可能需要更長的時間才會冷卻。</li> </ul>
	霜露	<ul style="list-style-type: none"> <li>● 當濕度較高時，不要長時間開門或頻繁打開門。</li> <li>● 當在商店購買的配件（例如管架）卡在門里時，將其拆下。</li> <li>● 如果食物從急凍室容器或蔬果室盒的後面掉出時，則門沒有正確關閉。取出食物。</li> <li>● 當濕度較高時，可能會在雪櫃外表面形成霜露。 → 用一塊乾布擦拭。</li> </ul>
	食物凍結。	<ul style="list-style-type: none"> <li>● 將溫度設置設定為“Mid”（或“Cold”）。(第 22 頁)</li> <li>● 環境溫度為 5 °C 攝氏度或以下？ → 將溫度設置設定為“Cold”。(第 22 頁)</li> <li>● 不要將水分含量高的食物放在雪櫃冷風口（第 21 頁）或保鮮室附近。</li> </ul>

## 在這些情況下？

電源出現故障。	<ul style="list-style-type: none"> <li>● 保持門關閉，並且不要再存儲其他食品。</li> <li>● 停止 [Fast Freezer] 功能。再次設定這些功能以在電力恢復後使用。(第 22 頁)</li> </ul>
斷開電源插頭。	<ul style="list-style-type: none"> <li>● 至少要等待 7 分鐘，方可插入電源插頭。 (如果立即插入電源插頭，壓縮器會超載引起故障。)</li> </ul>
長時間不用雪櫃。	<ul style="list-style-type: none"> <li>● 取出所有食品和飲料，清洗雪櫃。             <ol style="list-style-type: none"> <li>① 拔掉電源插頭。</li> <li>② 清洗食品儲藏室和製冰盒。(第 24 頁)</li> <li>③ 保持雪櫃門開至兩至三天，晾乾食品儲藏室。 (食品儲藏室潮濕，可能發黴或出現臭味。)</li> </ol> </li> </ul>
雪櫃照明燈不亮。	→ 諮詢你的經銷商。
玻璃破碎。 (玻璃置物架・門)	<ul style="list-style-type: none"> <li>● 當玻璃置物架和玻璃門破碎時，不要觸碰破碎的玻璃。 → 立即諮詢你的經銷商。</li> </ul>
移動雪櫃。	<ul style="list-style-type: none"> <li>● 如需防止地板表面受損，請放置保護板等。             <ol style="list-style-type: none"> <li>① 拔掉電源插頭。</li> <li>② 向前或向後移動雪櫃。</li> <li>③ 移動之後，使用可調校的雪櫃腳固定雪櫃。</li> </ol> </li> </ul>
移動或搬運雪櫃時。	<ul style="list-style-type: none"> <li>● 應至少兩人來搬運雪櫃。請勿橫向搬運雪櫃。(可能會導致人身傷害或雪櫃故障。)</li> <li>① 拔掉電源插頭。</li> <li>② 取出食品和飲料。</li> <li>③ 抬起可調校的雪櫃腳。</li> <li>④ 放置保護墊或類似的物品並移動雪櫃。 (由於水可能仍然留在裡面。)</li> </ul> <p><b>注意事項</b></p> <ul style="list-style-type: none"> <li>● 如果雪櫃內的冷卻設備上有霜(從外面看不到)，移動雪櫃時水可能會濺出。 (在斷開雪櫃電源插座後，冷卻設備上的霜大約需要 15 個小時才融化。)</li> </ul>

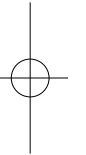
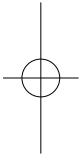
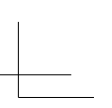
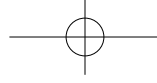
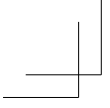
## 規格

型號	NR-C290GH-W3
總容量	313 L
總淨容量	241 L
冷藏室淨容量	146 L
急凍室淨容量	49 L
蔬果室淨容量	46 L
外型尺寸 寬 × 深 × 高	550 mm × 668 mm × 1591 mm
重量	69 kg / 152 lb
額定電壓 額定頻率	220-240 V ~ 50 Hz

中文







# Panasonic Corporation

Web site: <https://www.panasonic.com>  
© Panasonic Corporation 2021

H1121-0  
ARAH0A107730  
Printed in China

