

HK

Panasonic®

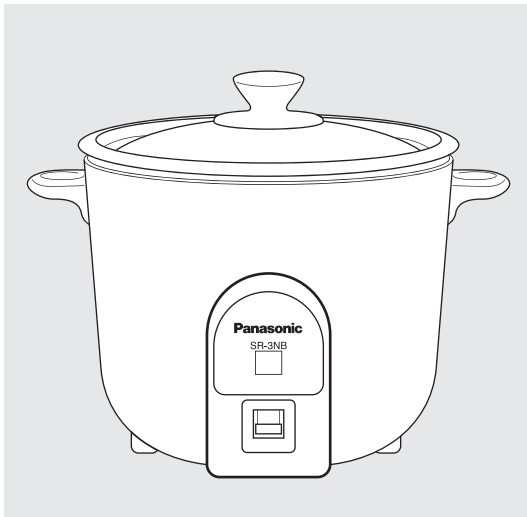
Operating Instructions Automatic Rice Cooker

Household Use only

使用說明書

自動電飯煲 僅供家用

Model No./型號 SR-3NB



English

中文

Contents

目錄

Safety Precautions 2-3
 Usage Precautions 4
 Cooking Rice 4
 Parts Identification 5
 How to Use 6
 Some Helpful Hints 6
 How to Clean 7
 Troubleshooting 8
 Specifications 8

安全注意事項 9-10
 使用注意事項 11
 烹煮米飯 11
 零件名稱 12
 使用方法 13
 建議 13
 如何清理 14
 問題處理 15
 規格 15

Thank you for purchasing this Panasonic product.
 ■ This product is intended for household use only.
 ■ Please read this operating Instructions carefully for appropriate use, **especially (Safety Precautions) (Page 2-3), please read carefully before use and keep for future reference.**

感謝您購買 Panasonic 自動電飯煲。
 ■ 本產品僅供家庭使用。
 ■ 請仔細閱讀本使用說明書以正確使用本產品。尤其是【安全注意事項】(第 9-10 頁)，使用以前請仔細閱讀並妥為保存以便日後參考。

Energy saving with appropriate use

正確使用並節省能源

Safety Precautions

In order to prevent accidents or injury to the user, other people, and damage to property, please follow the instructions below.

- The rust prevention paper located between the pan and the cast heater must be removed before using.
- The following chart indicates the degree of damage caused by wrong operation.

	WARNING : Indicates hazard that may cause death or severe injury.
	CAUTION : Indicates hazard that may cause human injuries or property damage.

- Classification of instructions that need to be strictly followed uses the following symbols to distinguish the instruction types.

	These symbols mean prohibition.
	These symbols mean requirement that must be followed.

WARNING

<p>Plug in tightly. (Improper plugging may cause electric shock or fire due to heat generation.)</p> <p>Do not use a damage plug or warped outlet.</p>	<p>Do not damage the power cord or the power plug. The following is prohibited: disassembling, bringing near hot surface, bending, twisting, pulling, placing heavy objects on top or tying up in a bundle.</p> <p>Prohibited</p> <p>(The damaged power cord could result in electric shock or fire.) If the power cord or the power plug is damaged, consult your nearest retailer or service center for repair.</p>	<p>Clean the power plug regularly. (A soiled power plug may cause insufficient insulation due to the moisture, and may result in fire.)</p> <p>Unplug the power plug, and wipe with clean cloth.</p>
<p>Do not plug or unplug the appliance with wet hands. (It may result in electric shock.)</p> <p>Do not use wet hands.</p>	<p>Do not insert metal objects such as pins and needles, or any other foreign objects in the exhaust outlets, or any other portion of the unit. Especially clips, wires or any metal objects. (It may result in electric shock or malfunction.)</p> <p>Prohibited</p>	<p>Do not operate the appliance with a damaged power cord or power plug. (It may result in electric shock or fire.)</p> <p>Prohibited</p>
<p>Do not place your hands or face over or near the steam vent.</p> <p>Do not touch.</p> <p>(It may cause burning injuries.)</p>	<p>This appliance is not intended for use by persons (including children) with reduced physical, sensory or mental capabilities, or lack of experience and knowledge, unless they have been given supervision or instruction concerning use of the appliance by a person responsible for their safety. Children should be supervised to ensure that they do not play with the appliance. (It may cause a burn or injury.)</p>	<p>Make sure the voltage supplied to the appliance is the same as your local supply. (220V AC only) (It may cause electric shock or fire.)</p>
<p>Do not use the appliance if the power cord or power plug is damaged or the power plug is loosely connected to the power outlet. (It may result in electric shock, or fire due to short circuit.)</p> <p>Prohibited</p>		

! WARNING

Do not immerse the appliance in water or other liquid.



(It may result in electric shock.)
If water leaks inside the appliance, please consult your nearest retailer or service center.

Do not wet.

Do not attempt to disassemble any of the parts or repair them by yourself.



(It may result in electric shock or fire.)
The appliance must be repaired only by the authorized service center.

Do not disassemble.

! CAUTION

Do not operate the appliance near water or fire.



Prohibited (It may result in electric shock or fire.)

The appliance becomes hot when in use, especially the lid and pan.

Do not directly touch them with your hands.



Do not touch the lid and pan.

Do not touch. (It may result in burning injuries.)

Make sure the appliance is completely cool before touching or cleaning it.



(To avoid burning injuries.)

Do not open the lid while cooking.



(It may cause burning injuries.)

Prohibited

Do not place the appliance on an unstable surface or on a carpet, electric carpet, table cloths (ethylene plastic) or other object that cannot resist high temperature.



(It may be overturned during use and result in fire.)

Prohibited

Heating elements subjected to residual heat after use. Please allow the appliance to cool down before cleaning it.



(Touching hot elements may cause a burn.)

Be sure to grasp the power plug itself to disconnect it. Do not pull the power cord.



(Also firmly grasp the appliance body before unplugging it.)
(It may result in electric shock or electrocution.)

Do not substitute the pan with other container.



(It may result in higher temperature and burning injuries.)

Prohibited

Always disconnect the appliance from the power supply outlet before taking the pan out or when the appliance is not in use.



(It may result in electric shock.)

Unplug

Do not place the appliance near a wall or furniture.



(The steam may result in color changes or deformation of nearby objects.)
Watch out for the steam coming out of the appliance.

Prohibited

Do not expose the power plug to steam and do not let water spill on the connector of the power plug.



Do not expose the power plug to steam when it is plugged in.
(It may cause a fire caused by short circuit.)
When using a cabinet with sliding table, use the appliance where the power plug cannot be exposed to steam.

Prohibited

Usage Precautions

Avoiding damages to the appliance

Do not cover the lid with a cloth.

The lid may become deformed, cracked or discolored and result in malfunction.

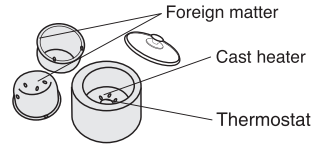
Do not place the appliance in direct sunlight.

Do not use the pan with other appliances.

Always keep the outside bottom of the pan and the cast heater clean and dry.

It may result in malfunction.

Always keep the outside bottom of the pan and the cast heater clean and dry.



Avoiding damages to the pan.

Do not leave the rice scoop or any other objects inside the pan.

The pan should be cleaned immediately after cooking with seasonings or condiments.

Do not use the pan as mixing utility.

Do not use metal utensils that can scratch or crack the pan.

The coated surface of the pan will gradually wear away, so use with care.

Do not tap or rub the inner surface of the pan. Clean only with a sponge.

(Do not use scouring pad.)

Cooking Rice

1 Select good rice

Glossy
Not broken

2 Measure rice

Use the measuring cup provided. (Approx. 90 mL.)

3 Rinse the rice, stir with hand.

Rinse the rice in a separate bowl until the water becomes relatively clear. Do not rinse the rice in the provided pan.

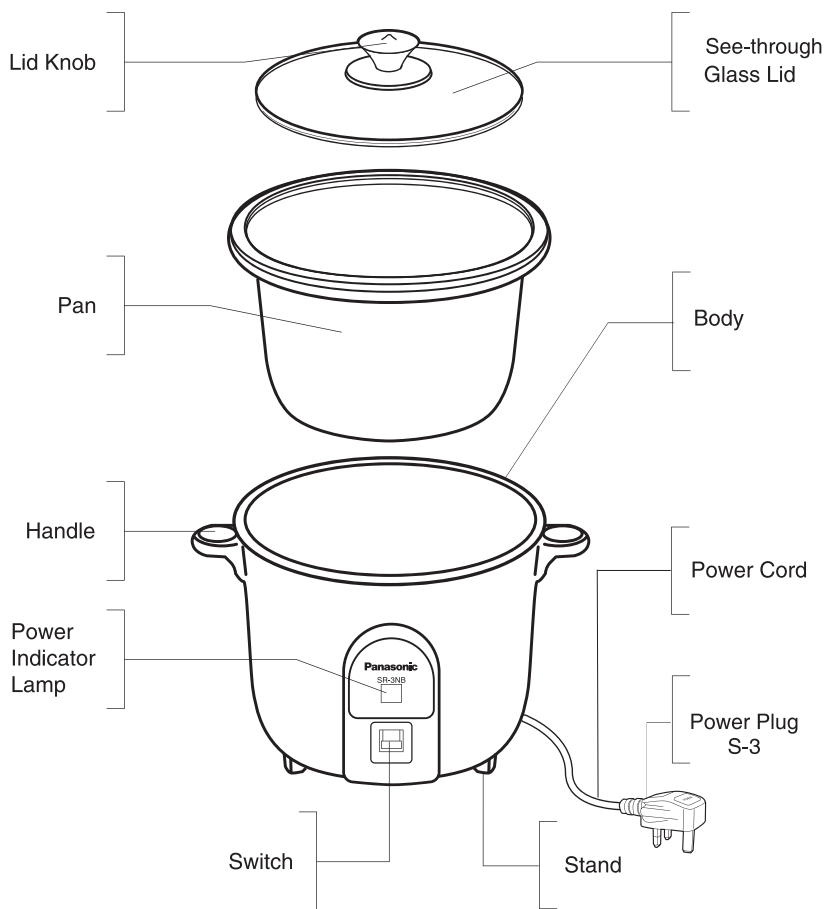
4 Adjust water level

Wash and rinse the rice with drinking water. When hot water is used to cook rice, it may result in discoloring and sogginess.

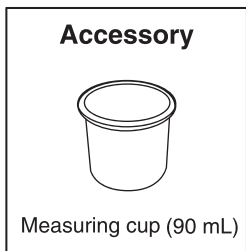
5 Stir cooked rice

When the water is completely evaporated, the rice is cooked. After at least 15 minutes, steam and mix rice well. Stir it to allow the moisture to swell the grains for the best tasting rice.

Parts Identification

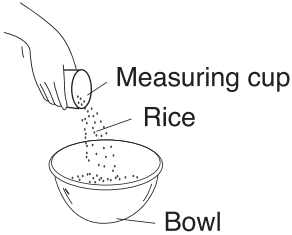


If the power cord of the appliance is damaged, please contact the Service Center for a replacement, as the power cord is an important component.



How to Use

1. Measure rice with the measuring cup provided. One cup of uncooked rice makes approximately about 3 cups of cooked rice.



2. Rinse rice in a separate bowl until the water becomes relatively clear.
3. Place rinsed rice in the pan. Add water according to the following standard proportions.
(See Some Helpful Hints)

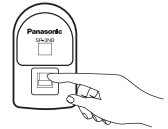
RICE (No. of cups)	WATER (No. of cups)
2	2-2 ¹ / ₃
3	3-3 ² / ₃

4. Place pan directly on the internal cast heater, and make sure that the pan is properly located on the cast heater by turning it slightly to the right and left as shown. Before placing the pan in the rice cooker, wipe off water and moisture from the outside (especially the bottom) of the pan.



5. Cover with the lid.
6. Insert the plug firmly into a wall outlet.
7. Press the switch down to the "ON" position. Make sure the power indicator lamp is on. When the rice is done, the switch will move up automatically, the lamp will go out and a click will be heard.

8. After the switch moves up, leave the lid closed for at least 15 minutes to steam rice, then mix rice well.



9. Unplug after use. Grasp the power plug, not the power cord.

Some Helpful Hints

- Always tasty rice
With your Panasonic Automatic Rice Cooker you can have uniformly cooked rice, you can even cook rice to your personal taste and preference. Taste of cooked rice depends upon the quality of the rice and the length of soak time.
Add more water than specified for softer, more fluffy rice, less water for firmer rice.
- Rice may bubble over.
If you use too much water or if the rice cooker is tilted, rice may bubble over. To prevent rice from bubbling over, add water accurately using the measuring cup provided. (Refer to How to Use)

How to Clean

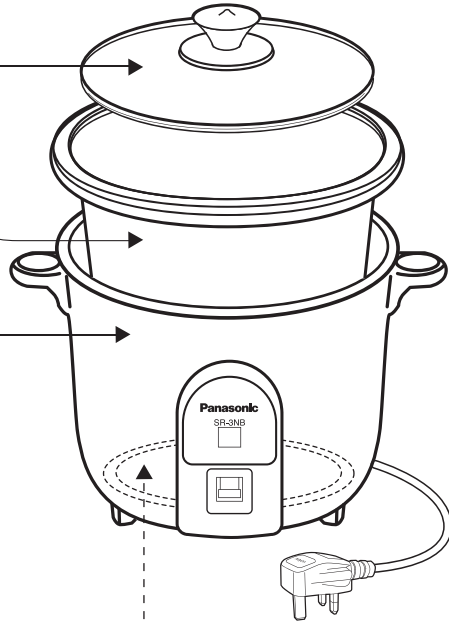
Unplug before cleaning. Check if there is any dirt sticking on the power plug and power cord. The dirt should be removed immediately. Do not use benzine or thinner in wiping and cleaning the rice cooker.

Pan / Lid

Soak the pan and lid with warm water and wash with a sponge. Do not use scrubbers in cleaning.

Body

Wipe with a damp cloth. Do not immerse the body in water.



Cast Heater

If an object has stuck on the cast heater, lightly polish it off using fine sandpaper (of about # 600) / steel wool. Then wipe with a damp cloth.

Accessory



Measuring Cup

Always wash with dishwashing liquid and sponge after use.

Troubleshooting

■ **Case of equipment failure? Check according to the following item :**

Problems Description	Cooking Problems					No power	Emits strange sounds
	Rice is too hard	Rice is half-cooked	Rice is too soft	Viscous liquid overflows	Bottom is scorched		
Possible Cause							
Rice to water ratio was not correct	●	●	●	●	●	Unplug the rice cooker from the wall socket. Check circuit breaker. If circuit breaker is ok then take unit to the nearest authorized service center.	Popping sounds are caused when water trapped between the pan and the cast heater evaporates. This can cause damage to the pan and cast heater.
Rice not rinsed well enough				●	●		
Pan bottom is dented or uneven	●	●			●		
Foreign matter between pan and cast heater	●	●	●		●		
Rice cooked with oil	●	●			●		
Rice was not fluffed (mixed) after cooking	●		●		●		
Lid is not securely closed				●			
Pan was not clean or odors from previous cooking remain in pan					●		
Power cord was unplugged or the switch was turned off during cooking		●					

Specifications

Model	SR-3NB
Power supply	220 V ~ 50 Hz
Power consumed	210 W
Capacity	2-3 cups (0.18 - 0.27 L)
Cord length	Approx. 1 m

安全預防措施

為避免使用者及他人發生事故或受到損傷，以及損壞財物，請遵循下列說明操作。

■ 使用前必須移除內鍋和在電熱板間的防鏽紙。

■ 下圖表示因錯誤操作而導致的損害程度。

 **警告**：表示可能導致死亡或嚴重損傷的危險。

 **注意**：表示可能導致人身傷害或財物受損的危險。

■ 說明書中需要被嚴格遵照的類別使用以下符號，藉以區分說明類型。

 這些符號表示禁止。

 符號表示必須遵循的要求。

警告

插緊電源插頭。



(插入不當可能會產生熱量，導致觸電或火災危險。)

請勿使用損壞的電源插頭或插座。



禁止

請勿損壞電源線或電源插頭。

以下項目為禁止事項：
自行拆解、使其靠近發熱表面、彎折、纏繞、拉扯、於其上放置重物或將之綁成一綑。

(損壞的電源線可能會導致觸電或火災危險。)

如果電源線或電源插頭損壞，請就近諮詢經銷商或服務中心以進行維修。

經常清理電源插頭。



(骯髒的電源插頭可能會因潮濕而導致絕緣不足，可能會導致火災。)

拔出電源插頭，用乾淨的布抹。

請勿在手濕時插入或拔出電飯煲電源插頭。



(否則可能導致觸電危險。)

請勿在手濕時操作。

請勿用破損的電線或電源插頭操作任何電器。



(可能會造成觸電或火災。)

禁止

請勿將手或臉部置於蒸氣孔上方或附近。



請勿觸摸。



(否則可能導致灼傷危險。)



禁止

請勿將金屬物體(例如插腳與針，或任何其他異物)插入排汽孔或電飯煲的任何部分。

特別是別針、電線或任何金屬物體。
(否則可能導致觸電或故障危險。)

請確定使用的電流與當地的電流相同。(交流電僅 220 伏)



(使用連接插頭，可能會造成觸電或火災。)

本電飯鍋並非設計供身體、感官或精神有殘障的人士(包括兒童)，或缺乏經驗及知識的人士使用，除非負責他們安全的人員已就本電飯電煲的使用予以監督或指導。



應看管好兒童，切勿讓其玩耍本電飯電煲。

(否則可能導致灼傷或損傷危險。)

若電源線或電源插頭損壞，或電源插頭與電源插座的連接鬆脫，請勿使用本電飯電煲。



禁止

(否則可能導致短路，導致觸電或火災危險。)

警告

請勿將電飯煲浸入水或其他液體中。



(否則可能導致觸電危險。)

如果水漏到電飯煲內，請就近諮詢經銷商或服務中心。

請勿弄濕。

請勿嘗試自行拆解或維修任何零件。



(否則可能導致觸電或火災危險。)

本電飯煲必須僅由授權服務中心維修。

請勿拆解。

注意

請勿在水或火附近操作本電飯煲。



禁止

(否則可能導致觸電或火災危險。)



電飯煲在使用期間會變得很燙，尤其是面蓋和鍋體。請勿直接用手觸摸它們。



請勿觸摸。

(可能導致灼傷危險。)



確認本電飯煲完全冷卻後再清潔。



(以避免灼傷危險。)

請勿將電飯煲置於不穩定的表面或地毯、電熱毯、桌巾(乙烯塑料)或其他不耐高溫的物體上。

即使烹飪結束，元件仍可能因為使用後的餘溫而燙手。請在電飯煲冷卻後再對其清洗。



(接觸燙手元件可能導致灼傷危險。)

請勿在煮飯時開啟面蓋。



禁止

(否則可能導致灼傷危險。)



禁止

(電飯煲可能在煮飯時傾翻並導致火災。)

拔出電源時，請確保握持電源插頭本身。請勿拔電源線。



(並且在拔下插頭前緊緊抓住電飯煲鍋體。)
(可能導致觸電或電擊危險。)

請勿以其他容器取代鍋體。



禁止

(可能導致高溫和灼傷危險。)

務必在拿出內鍋前，或者在電飯鍋未使用時，自插座拔下電源中斷連接。



(否則可能導致觸電危險。)

拔下插頭

請勿將電飯煲靠牆或靠近傢俱。



禁止

(蒸汽可能導致附近的物體變色或變形。)
注意電飯煲冒出的蒸汽。

請勿將電源插頭暴露在蒸汽中，及勿讓水灑在電源插頭的連接頭上。



禁止

插入電源插頭後，請勿與蒸汽接觸。
(否則可能導致因短路而引起火災危險。)
使用有滑動桌面的櫃子時，在電源插頭不會與蒸汽接觸時再使用電飯煲。

使用注意事項

避免損壞電飯煲。

請勿用布條覆蓋面蓋。

面蓋可能發生變形、破裂或變色，並導致故障。

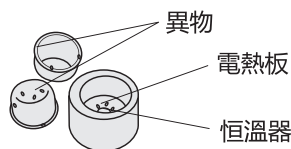
請勿將電飯鍋置於陽光直射的位置。

請勿將鍋體與其他家電一同使用。

務必讓內鍋的外側下方和電熱板保持乾燥潔淨。

可能導致故障。

務必讓內鍋的外側下方和電熱板保持乾燥潔淨。



避免損壞鍋體。

請勿讓飯勺或其他物體進入內鍋。

應在使用調味料或調味品烹飪後立即清潔鍋體。

請勿將鍋體用作攪拌用具。

請勿使用會刮傷鍋體或使其破裂的金屬器皿。

內鍋的塗層表面會逐漸磨損，請小心使用。

如遇長時間使用電飯煲蒸、燉食物，

內鍋將有機會出現黑點，此乃鈣質殘餘物，

屬正常現象，而非由內鍋本身材料所產生

請勿敲擊或刮擦鍋體的內表面。

僅使用海綿清潔。

(請勿使用百潔布。)

烹飪米飯

1 選擇優質大米

有光澤
沒有碎米粒

2 測量米量

使用隨附的量杯。
(大約 90 毫升)。

3 淘米，用手攪拌。

用另外的碗淘米，
直至水變得較清澈。
請勿在提供的鍋體中淘米。

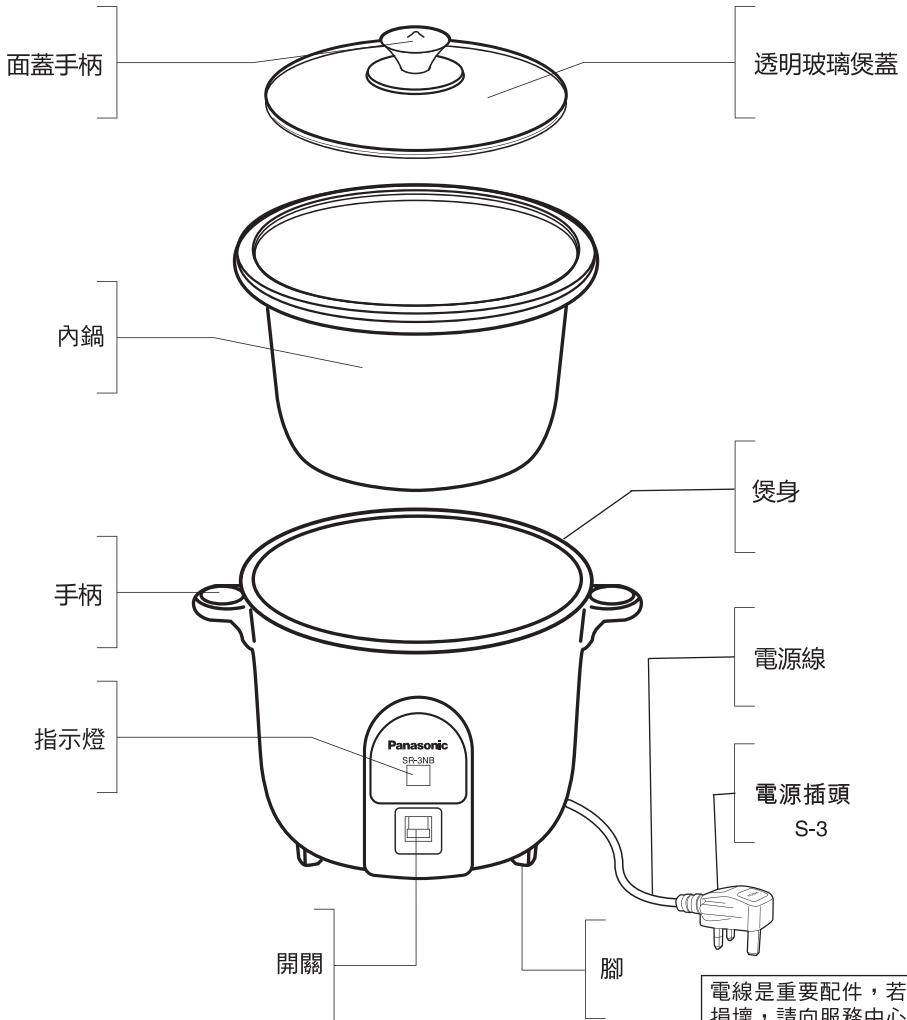
4 調節水位

用飲用水淘米。
用熱水煮飯時，
米可能褪色、失去光澤。

5 把煮好的飯攪一攪

水完全蒸發後，米飯就煮熟了。
經過至少 15 分鐘，
蒸煮並適當混合米飯。
攪拌米飯，濕氣可使米粒膨脹，
煮出最可口的米飯。

零件名稱



配件



量杯 (90毫升)

使用方法

1. 請用量杯量米。



2. 用清潔的淡水在別的盆子中洗米，一直洗到盆子的洗米水呈澄清狀態的程度。

3. 將洗好的米投入於電飯煲之內鍋中，再加水，並按規定調整其水量。（請參照“建議”一項中之說明）。

米 (杯數)	水 (杯數)
2	2-2 $\frac{1}{3}$
3	3-3 $\frac{1}{3}$

4. 請將內鍋直接放在電熱板上。如圖所示，向左，右側輕輕地轉動內鍋，便可使之固定的當。

當要將內鍋裝入於電飯煲之中以前，內鍋外側(尤其是內鍋底部的水滴一定要拭乾淨才行)。

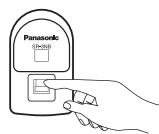


5. 蓋上蓋子。

6. 再將電源插頭插入電源插座。

7. 按下開關。

隨之而指示燈就照亮才是。飯煮好了，電源就自動地斷開，而指示燈就熄滅，隨之而就有“喀叻”的一聲響出。



8. 當電源斷開之後，保持蓋子原樣不動至少15分鐘以蒸米飯，然後攪混米飯。

9. 電飯煲用完後拔下插銷，抓住插頭拔下，而不是電線。

建議

- 可口米飯，隨心所欲。

只要是 Panasonic 的自動電飯煲，煮熟均勻，可口美味，隨心所欲。米飯之味道及硬軟程度總要取決於米之質量，以及浸漬時間之長短。水多於所定的程度時就軟，少時就硬。

- 防止起泡溢出。

如果您放太多水或電飯煲歪斜，米飯可能會起泡。

若要避免米飯起泡，請使用配備的量杯以準確地控制所需的水量。（請參照使用要領）

如何清理

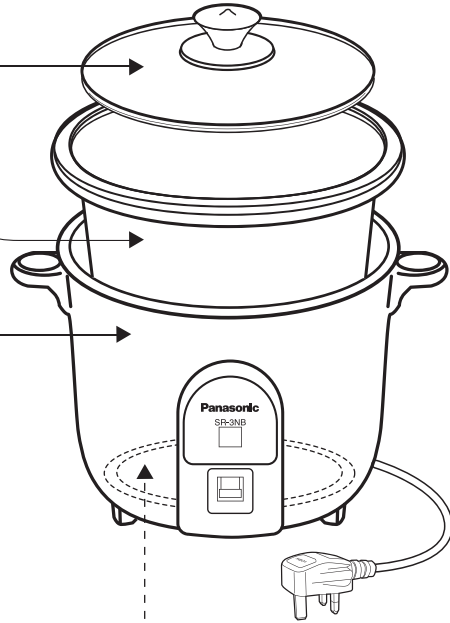
清理前先拔掉電源插頭，檢查並立即清除電源插頭或電線上所沾有的灰塵。
禁止使用揮發劑擦拭或清理電飯煲。

內鍋 / 透明玻璃煲蓋

內鍋及蓋子可泡在溫水中以海綿擦洗。請勿用刷子刷洗。

本體

用濕抹布擦拭，請勿將本體浸入水中。



電熱板

如果有異物粘在電熱板上，請用幼細的砂紙（大約#600） / 鋼絲絨輕輕將之磨去。然後用濕布清理。

配件



量杯

用完后一定要用洗潔精和海綿清洗。

問題處理

■ 這可真是機件故障？請依照下列條例檢查：

發生下列情況時 檢查項目	煮飯時的問題					電流中斷	使用中發出嘈音
	過硬	未煮熟 (芯部沒熟)	過軟	米湯溢出	鍋巴過於焦黑		
米量、水量不正確	●	●	●	●	●	將電飯煲送至最鄰近之修理店修理。 插掣未插入牆壁之插座。檢查保險掣是否中斷，如保險掣正常，則須將電飯煲送至最鄰近之修理店修理。	煮飯中發出「叭」的聲音，是內鍋底外側的水滴受熱膨脹後產生的破裂聲音。可能使內鍋或電熱板受到損害。
米未淘洗乾淨				●	●		
內鍋底凹凸不平	●	●			●		
內鍋外側及電熱板之間粘有異物	●	●	●		●		
放入油脂炊飯	●	●			●		
炊飯完畢後，沒有攪鬆米飯	●		●		●		
沒有蓋緊鍋蓋				●			
內鍋沒有洗乾淨或上次煮飯時在內鍋中留存的異味					●		
煮飯時未插掣或是電掣被關閉		●					

規格

型號	SR-3NB
電源	220 V ~ 50 Hz
消耗電力	210 W
容量	2-3 杯 (0.18 - 0.27 L)
電線長度	約 1 m

Panasonic Appliances India Co., Ltd.
Website : <http://panasonic.com>
© Panasonic Appliances India Co., Ltd. 2016